

**NEW!**

Open awning

Topas II

Topas II with roof | without roof

The **Topas II** is a classic entry-level awning for anyone wanting to save money without sacrificing quality. Its uncomplicated technology makes it stable and wind-resistant. When open, the awning stands out with its extreme flexibility: With many high quality accessories, multiple features and diverse installation options the Topas II fulfils any individual requirement and can be adapted to suit any type of facade. Due to its no compromise robust nature it is equally suited to any application.



Topas II with metal valance (optional)



Versions:



Topas II with roof



Topas II without roof

Mounting options:

Installation on walls, ceilings and rafters is possible



Wall installation



Ceiling installation



Rafter installation



Wall connection with a top profile (optional)

Topas II Highlights

Joined units:
with roller supports



or jockey cover



Wind lock safety device:
the awning does not lift up
when exposed to wind



**LED Design light bar
for Topas II (optional)**



weinor LongLife arm:
very durable and low-noise

Topas II Benefits



Open or with a roof – classic design with the latest technology

The weinor Topas II provides high comfort and reliable quality and an attractive price-performance ratio at the same time.

- With and without a roof
- Large widths
- Wind-resistant
- Diverse fabric selection
- Optionally available with a metal valance



LED design light bar for Topas II (optional)

Select LED components stand for top weinor quality:

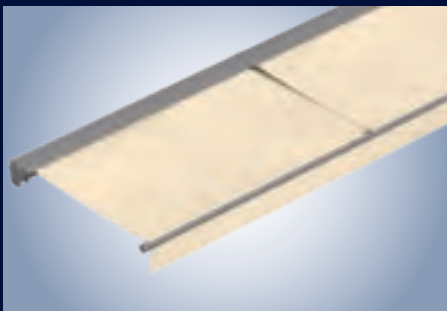
- Atmospheric light thanks to special glass lenses
- Highly energy-efficient
- Operating life of 30,000 hours
- Dimmable LED with the weinor BiConnect remote controller or Somfy io-homecontrol®
- Installation by attachment to the carrier bar
- Service-friendly: Replacement of individual LED spotlights or electronic components possible without dismounting the awning



weinor LongLife arm – durable and quiet

The weinor LongLife arm features an exceptionally robust high-tech belt.

- Tested to more than 100,000 cycles
- Extremely quiet running, no maintenance necessary
- Drop forged aluminium in the joint – light but highly robust



Multi-section units – to shade especially large areas

The Topas II is also available as a combined multi-section unit for very large spaces.

- As a 2-part unit up to 1,200 cm
- Jockey cover (2 piece fabric) or roller support with cradle and continuous one-piece fabric



Valance Plus – vertical privacy and sun protection

The Valance Plus is elegantly integrated into the front profile of the awning. It provides privacy and glare protection when the sun is low.

- Continuously extendable up to 210 cm
- Patented weinor Opti-Flow-System® for safe closing of the front profile and best fabric positioning

Topas II Technology

Topas II versions	Topas II with a roof	Topas II without a roof
Technology		
Max. width, 1-section/2-section with a jockey cover	700 cm/1,200 cm	700 cm/1,200 cm
Max. projection	400 cm	400 cm
Side dimensions (W x H) incl. standard bracket	215 mm x 215 mm	215 mm x 210 mm
Coupled units	<input type="radio"/>	<input type="radio"/>
Motor drive	<input checked="" type="radio"/> Standard	<input checked="" type="radio"/> Standard
Adjusting the awning pitch	5° to 40°	5° to 40°
Installation alternatives	Can be installed on walls, roofs and rafters	
LongLife arm	<input checked="" type="radio"/> Standard	<input checked="" type="radio"/> Standard
Valance Plus option		
Max. width	550 cm/600 cm	550 cm/600 cm
Max. awning projection	350 cm/300 cm	350 cm/300 cm
Side dimensions (W x H) incl. standard bracket	265 mm x 215 mm	265 mm x 210 mm
Gear drive	<input type="radio"/>	<input type="radio"/>
Motor drive	<input checked="" type="radio"/> Standard	<input checked="" type="radio"/> Standard
Adjusting the awning pitch	10° to 20°	10° to 20°
Valance Plus projection (height)	100 cm, 150 cm, 210 cm	100 cm, 150 cm, 210 cm
Accessories		
Tempura/Tempura Quadra heating system	<input type="radio"/>	<input type="radio"/>
LED design light bar for Topas II	<input type="radio"/>	<input type="radio"/>
BiSens Agido-3V product protection sensor	<input type="radio"/>	<input type="radio"/>
Controls		
Remote control	<input type="radio"/>	<input type="radio"/>
No remote control	<input checked="" type="radio"/>	<input checked="" type="radio"/>
Weather sensors		
Sun/wind sensor	<input type="radio"/>	<input type="radio"/>
Sun/wind sensor, solar-operated	<input type="radio"/>	<input type="radio"/>
Sun/wind/rain sensor	<input type="radio"/>	<input type="radio"/>
Quality		
Tested up to	Wind resistance class 1 according to DIN 13561 (wind strength 5 on the Beaufort scale)	

Standard Option Not available

Topas II LED



Light bar bracket

LED lighting – 30,000 hours of lighting with lowest energy consumption

Select LED components stand for top weinor quality:

- Atmospheric light thanks to special glass lenses
- Lighting remains on even when the awning is retracted
- Highly energy-efficient
- Operating life of 30,000 hours
- Dimmable with the BiConnect remote controller or Somfy io-homecontrol®
- Individual LED lamps can easily be replaced

Number of individual LED spotlights

Awning width in cm	Number of separate LED spotlights
550-1099	1
1100 – 1649	2
1650 – 2199	3
2200 – 2749	4
2750 – 3299	5
3300 – 3849	6
3850 – 4399	7
4400 – 4949	8
4950 – 5499	9
5500 – 6039	10
6040 – 6500	11
6501 – 7000	12

Topas II with metal valance (optional)



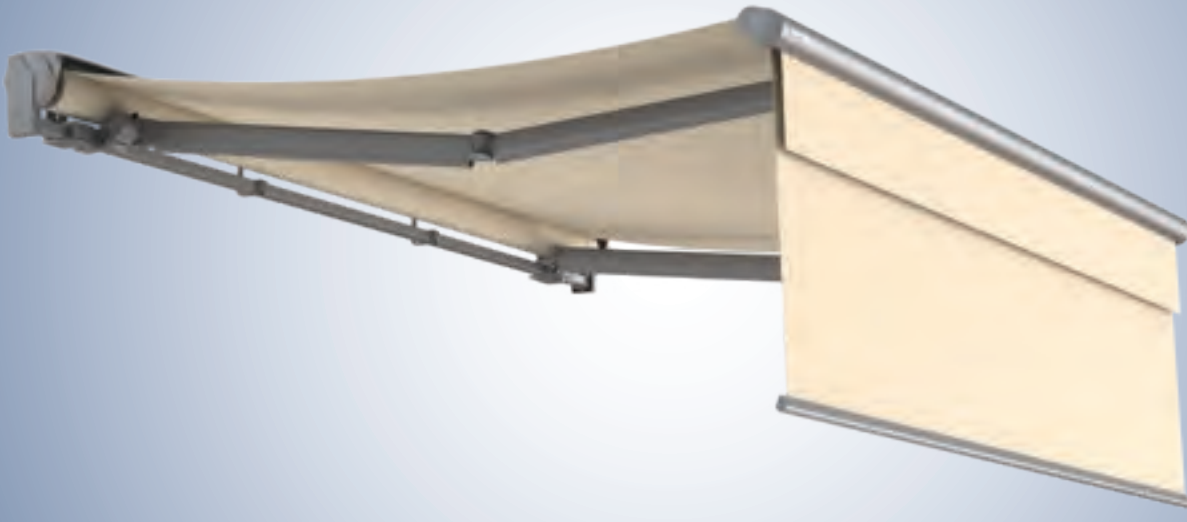
As opposed to textile valances, the metal valance from weinor is more durable and resistant against weather influence such as wind and rain. As it is easier to clean and maintain, it requires hardly any maintenance work.

Moreover, it covers the awning mechanics, not only making it more aesthetically appealing, but also protects the moving parts against dirt and damages. At the same time, it supports the stability of the front profile and enables more uniform closing of the awning over its entire width.

The metal valance is fixed to the sides of the front profile with 2 screws (as with the textile valance).

Valance Plus cannot be combined with metal valance

Topas II Valance Plus



More privacy thanks to vertical privacy and sun protection (optional)

The gear or motor-driven vertical sun protection is elegantly integrated into the front profile of the awning.

- Glare and privacy protection up to a maximum valance height of 210 cm
- Steplessly extendable
- Use Valance Plus with an awning angle of pitch between 10° and 20°
- Valance Plus cannot be retrofitted
- Valance Plus with motor only with motorised awning
- Valance Plus only possible for single-section units



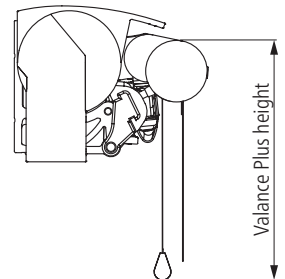
Motorised



With crank gear



Valance Plus retracted



Maximum awning size for Valance Plus

Main drive motor/gear			
Width	550 cm	Projection	350 cm
Width	600 cm	Projection	300 cm

V-shaped ripples

V-shaped ripples may be incurred symmetrically coming from the top edge of wider constructions. The reasons for this are the fabric's dead weight and structure as well as the sagging ripples.

Available fabrics for the Valance Plus

	Soltis® 86, 92	Soltis® 86, 92	Acrylic			Polyester		StarScreen	Fibreglass screen
Pattern	Single-colour	Single-colour	Striped	Single-colour	Single-colour	Striped	Single-colour	Single-colour	
Roll width	177 cm	267 cm	120 cm	120 cm	250 cm**	120 cm	120 cm	325 cm	max. 320 cm*
Valance length									
100 cm	S	S	T	S	–	T	S	S	S
150 cm	S	S	–	–	S	–	–	S	S
210 cm	T	S	–	–	S	–	–	S	–

S Seamless: Seamless fabric, fabric structure transverse to awning fabric structure

T Transverse seam: Fabric with transverse seam (glued), optionally in the top or bottom third as desired; fabric structure of fabric runs transverse to the awning fabric structure

L Longitudinal seam: Fabric structure longitudinal to the awning fabric structure

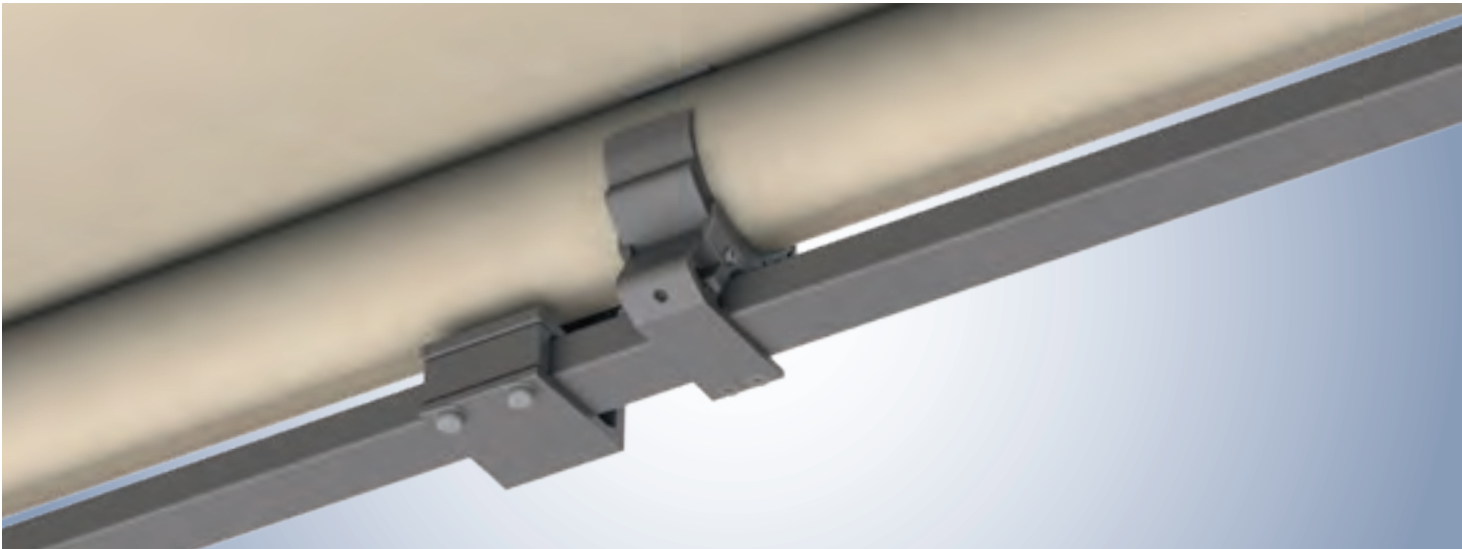
– Not available

* Max. roll widths, see collection swatches

** Seamless acrylic fabrics: 3-509-250, 3-708-250, 3-716-250, 3-719-250, 3-720-250

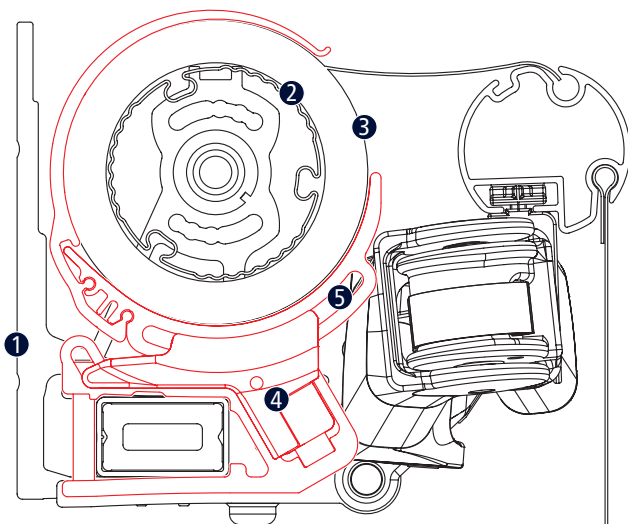
Please note: For Valance Plus with crank operation, uneven closing of the Valance Plus front profile is possible.

Topas II Roller support

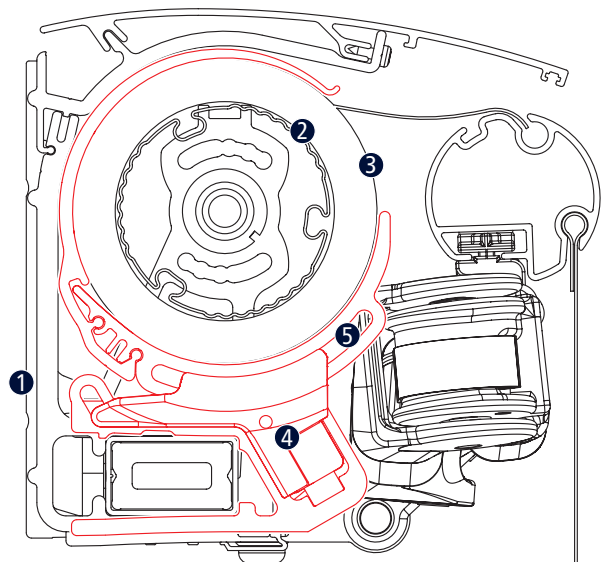


Topas II: Wall installation with a wall bracket and roller support

Wall bracket and roller support



Topas II without a roof



Topas II with a roof

- | | |
|----------------|--------------------------|
| ① Wall bracket | ④ Roller support |
| ② Roller tube | ⑤ Roller support bearing |
| ③ Fabric rolls | |

Notes:

- A centre bracket is used for widths exceeding 401 cm.
- A central roller support and centre bracket are used for widths exceeding 501 cm.
- The roller support bearing is pre-assembled and can be adjusted to the size of the fabric roll accordingly.

Topas II Controls

weinor BiConnect radio technology

01

Product	Electronics	BiConnect control	Remote receiver	Transmitter
Topas II	Topas II drive	<ul style="list-style-type: none"> • BiConnect remote-controlled motor (Elero) integrated in the awning 	Elero SunTop-868 remote-controlled motor	<ul style="list-style-type: none"> • BiEasy 1M hand transmitter • 1MW-3V wall-mounted transmitter
Topas II LED	Topas II drive and LED design light bar for Topas II	<ul style="list-style-type: none"> • BiRec receiver for main drive and LED design light bar for Topas II (with integrated power supply pack) integrated in the light bar • Dimmable LED 	BiRec MLED	<ul style="list-style-type: none"> • BiEasy 5M/15M Go! Hand transmitter
Topas II Valance Plus	Topas II and Valance Plus drive	<ul style="list-style-type: none"> • BiRec combined receiver for main drive and Valance Plus drive integrated in the electronics box • Table retraction protection • Gradual switch-off 	BiRec MVLED	<ul style="list-style-type: none"> • BiEasy 5M/15M Go! Hand transmitter
Topas II LED Valance Plus	Topas II and Valance Plus drive and LED design light bar for Topas II	<ul style="list-style-type: none"> • BiRec combi-receiver for main drive, Valance Plus drive and LED spotlights (with integrated power supply pack) integrated into the light bar • Dimmable LED • Table retraction protection 	BiRec MVLED	<ul style="list-style-type: none"> • BiEasy 5M/15M Go! Hand transmitter
Accessories (optional)	Tempura/Tempura Quadra heating	<ul style="list-style-type: none"> • Dimmable, additional receiver required • Accommodation of the receiver in the design bar provided for this purpose or the Tempura Quadra housing 	BiRec HD	<ul style="list-style-type: none"> • BiEasy 5M/15M Go! Hand transmitter

Prerequisite: Awnings with BiConnect remote control and sensors require a BiEasy 1M, 5M or 15M Go!

Somfy io-homecontrol® radio technology

Product	Electronics	Somfy io-homecontrol controller	Remote receiver	Transmitter
Topas II	Topas II drive	<ul style="list-style-type: none"> • Somfy io remote-controlled motor integrated in the awning 	Somfy io remote-controlled motor	<ul style="list-style-type: none"> • Situo 1 io Pure II/Situo 5 io Pure II/Situo 5 Variation A/M io Pure II hand transmitter • Smoove 1 io Pure Shine wall-mounted transmitter
Topas II LED	Topas II drive and LED design light bar for Topas II	<ul style="list-style-type: none"> • Somfy io remote-controlled motor integrated in the awning • Additional Somfy receiver for the LED design light bar for Topas II (with downstream power supply pack) integrated into the light bar • Dimmable LED 	Somfy io remote-controlled motor and Lighting Receiver Variation io (dimnable)	<ul style="list-style-type: none"> • Situo 5 io Pure II/Situo 5 Variation A/M io Pure II hand transmitter
Topas II Valance Plus	Topas II and Valance Plus drive	<ul style="list-style-type: none"> • Somfy io remote-controlled motor as the main drive and as the Valance Plus drive integrated in the awning • No table retraction protection 	Somfy io remote-controlled motors	<ul style="list-style-type: none"> • Situo 5 io Pure II/Situo 5 Variation A/M io Pure II hand transmitter
Topas II LED Valance Plus	Topas II and Valance Plus drive and LED design light bar for Topas II	<ul style="list-style-type: none"> • Somfy io remote-controlled motor as the main drive and as the Valance Plus drive integrated in the awning • Additional Somfy receiver for the LED spotlights • Dimmable LED • No table retraction protection 	Somfy io remote-controlled motor and Lighting Receiver Variation io (dimnable)	<ul style="list-style-type: none"> • Situo 5 io Pure II/Situo 5 Variation A/M io Pure II hand transmitter
Accessories (optional)	Tempura/Tempura Quadra heating	<ul style="list-style-type: none"> • Dimmable, additional receiver required • Accommodation of the receiver in the design bar provided for this purpose or the Tempura Quadra housing 	Heating Receiver Variation io 1.5 kW STAS3/STAK3 (dimnable)	<ul style="list-style-type: none"> • Situo 5 io Pure II/Situo 5 Variation A/M io Pure II hand transmitter • Smoove 1 io Pure Shine wall-mounted transmitter

Topas II Controls

Somfy io-homecontrol® radio technology (emergency crank optional)



Front emergency crank
(std wall fix)



Rear emergency crank
(wall or top fix)

With the optionally available emergency crank drive, the Topas II can be extended and retracted with a crank in case of motor or power failure (only combined with Somfy io-homecontrol®).

Note:

After activation of the emergency crank the motor needs reminding where the original limits are set. It is very important that the awning is opened to the fully outward position and then completely closed. This ensures the original limit positions are not disrupted or confused.

Hard wired (connected to existing switch/control)

Product	Electronics	Hard wired control	Control
Topas II	Topas II drive	<ul style="list-style-type: none"> • Awning switch for the awning drive 	e.g. double rocker switches (on-site)
Topas II LED	Topas II drive and LED design light bar for Topas II	<ul style="list-style-type: none"> • Awning switch for the awning drive • LED design light bar switch for Topas II • LED power supply pack integrated into the light bar • LED not dimmable 	e.g. double rocker switches and suitable light switch (on-site)
Topas II Valance Plus	Topas II and Valance Plus drive	<ul style="list-style-type: none"> • Awning switch for the main drive • Awning switch for the Valance Plus drive • No table retraction protection 	e.g. 2 double rocker switches (on-site)
Topas II LED Valance Plus	Topas II and Valance Plus drive and LED design light bar for Topas II	<ul style="list-style-type: none"> • Awning switch for the main drive • Awning switch for the Valance Plus drive • No table retraction protection • Switch for the LED spotlights • LED power supply pack integrated into the cassette • LED not dimmable 	e.g. 2 double rocker switches and appropriate light switches (on-site)
Accessories (optional)	Tempura/Tempura Quadra heating	<ul style="list-style-type: none"> • Not dimmable 	Appropriate switch (on-site)

Note:

Please refer to the "Accessories" technical folder for further information regarding the topic of drive and control.

Manual gear drive (optional)



Wall installation



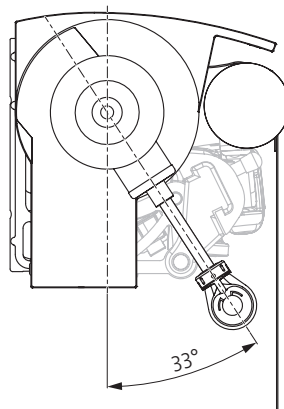
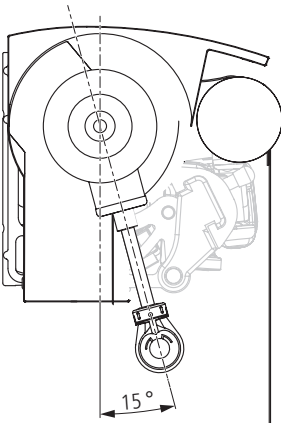
Ceiling/balcony installation

The Topas II can naturally also be ordered with a manual gear drive (up to a max. width of 550 cm at a max. projection of 300 cm). This option is always recommended whenever electrical connection is hard to realise on-site or if the awning is not frequently used.

Properties:

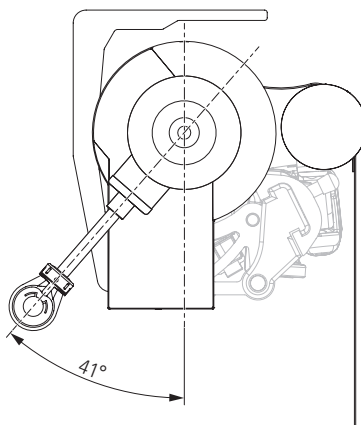
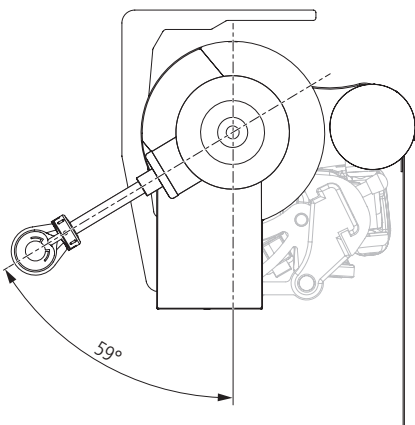
- The Topas II has a universal bevel gear system.
- End stop externally adjustable
- Tested according to DIN EN 14203
- Freewheel when extended

Standard crank outlet for wall installation

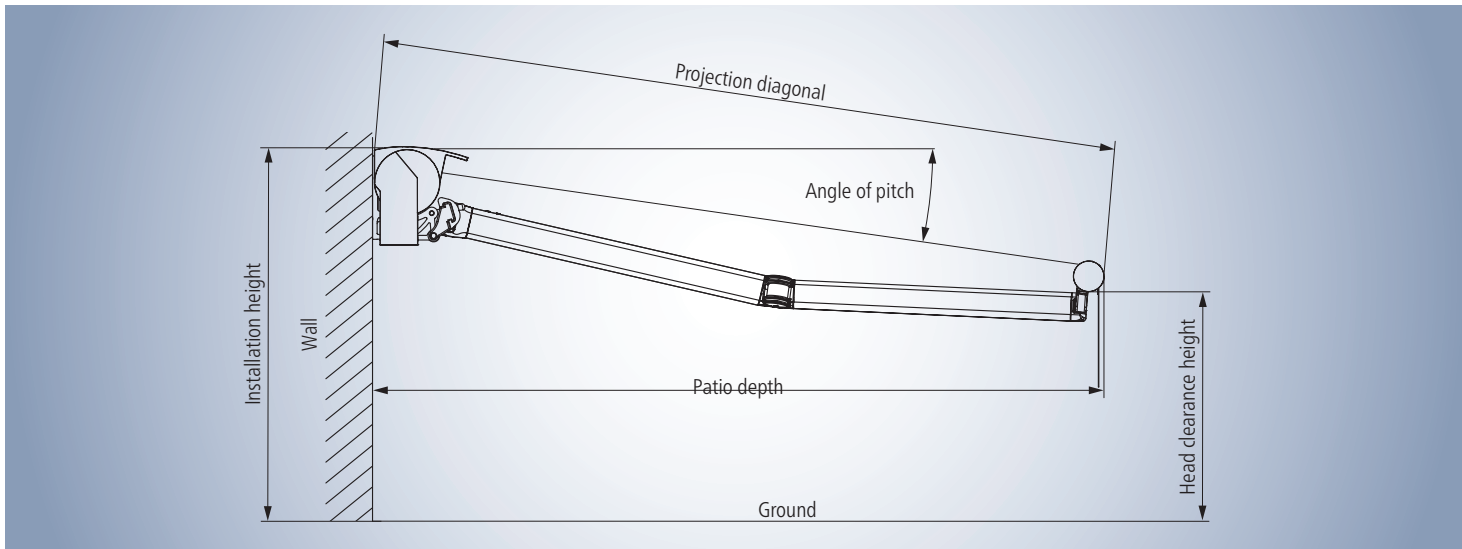


Crank gear installation options based on the awning's type of installation

Crank outlet for ceiling/balcony installation



Topas II Planning



Site measuring – determining the projection and head clearance height

- Find the projection for the patio depth in the "Projection" table.
- Read the head clearance height from the "Head clearance height" table with the determined projection and the desired angle of pitch, head clearance height is valid for an installation height of 300 cm
- Add/subtract the difference between 300 cm and the actual installation height to/from the head clearance height in the table.

Reduced head clearance height (approx. -15 cm) for the metal valance option!

Determining the projection diagonal

Angle of pitch	Patio depth in cm					
	150	200	250	300	350	400
5°	150	200	250	300	350	400
15°	160	210	260	310	360	–
25°	170	220	280	330	390	–

Projection diagonal in cm (rounded approximate figures)

This table can be used to find the awning projection diagonal for any given horizontal patio depth.

Determining the head clearance height

Angle of pitch	Projection in cm					
	150	200	250	300	350	400
5°	270	270	270	260	260	250
15°	250	240	220	210	200	180
25°	220	200	180	160	140	120

Head clearance height in cm (rounded approximate figures)

This table can be used to determine the head clearance heights for different projections at the angles of pitch 5°, 15° and 25°.

This table is based on the example of an installation height of 300 cm (upper edge of awning).

Wall installation

Sizes and bracket recommendations

Wall mounting on pressure-resistant surface

Minimum number of required wall brackets to guarantee the function of the awning, independent of the installation surface. Selection of the brackets using the weinor bracket overview and based on the maximum extraction forces of the fastening mechanisms applied!



System without Valance Plus

Width in cm	Number of arms	Diagonal projection in 10 cm steps					
		up to 150	160-200	210-250	260-300	310-350	360-400
up to 200	2	2					
201-250	2	2	2				
251-300	2	2	2	2			
301-350	2	2	2	2	2		
351-400	2	2	2	2	2	2	
401-450	2	3	3	3	3	2+1	2+1
451-500	2	3	3	3	3	5	2+1
501-550	2	3	3	3	5	5	5
551-600	2	3	3	3	5	5	5
601-650	2	3	3	3	5	5	5
651-700	2-3	3	3	3	5	7	7

- 2 2 wall brackets 85 mm
- 2 2 wall brackets 260 mm
- 3 3 wall brackets 85 mm (1 as a centre bracket)
- 4 4 wall brackets 85 mm alternatively: 2 wall brackets 295 mm
- 5 5 wall brackets 85 mm (1 x as centre bracket) alternative: 2 wall brackets 295 mm + 1 wall bracket 85 mm (as a centre bracket)
- 2+1 2 wall brackets 260 mm + 1 wall bracket 85 mm (1 as a centre bracket)
- 7 7 wall brackets 85 mm (1 as a centre bracket)

Overlapping possible, observe size limits!

System with Valance Plus:

Width in cm	Number of arms	Diagonal projection in 10 cm steps				
		up to 150	160-200	210-250	260-300	310-350
up to 200	2	2				
201-250	2	2	2			
251-300	2	2	2	2		
301-350	2	2	2	2	2	
351-400	2	2	2	4	4	2
401-450	2	3	3	5	5	2+1
451-500	2	3	3	5	5	5
501-550	2	3	5	5	5	5
551-600	2	3	5	5	5	

Two brackets per arm necessary:

- a. Projection ≥ 310 cm
- b. Width ≥ 501 cm and projection ≥ 260 cm

Centre bracket use dependent on the width/projection:

- a. Width ≥ 401 cm
- a. Projection ≥ 360 cm

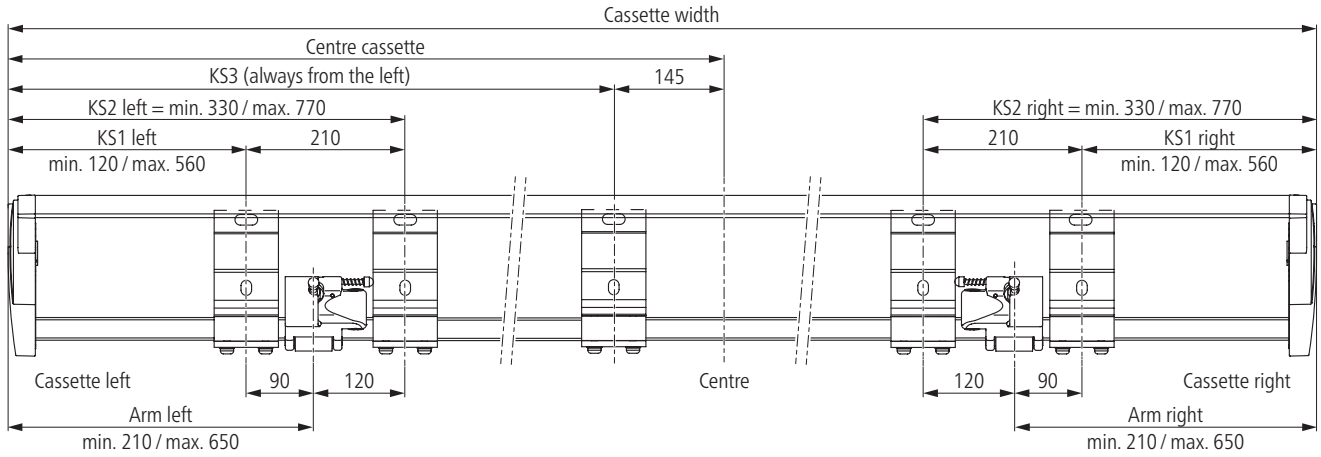
Overlapping possible, observe size limits!

Observe size limits; the construction must be X wider than its projection:

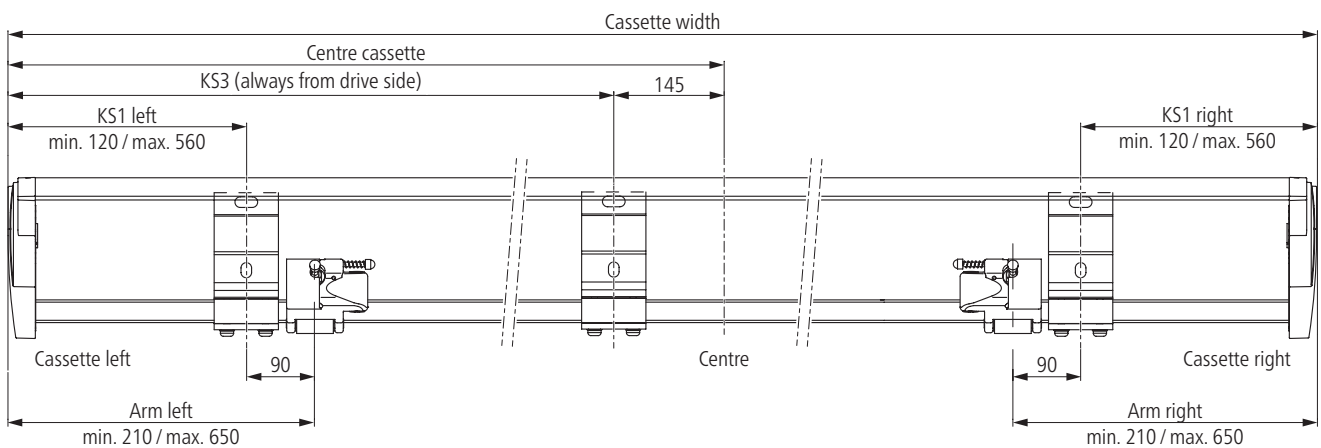
- for 1 wall bracket 85 mm or 1 wall bracket 260 mm per arm: X = 40 cm
- for 2 wall brackets 85 mm or 1 wall bracket 295 mm per arm: X = 62 cm
- with 2 wall brackets 260 mm per arm: X = 95 cm

Position/placing of wall brackets and Topas II

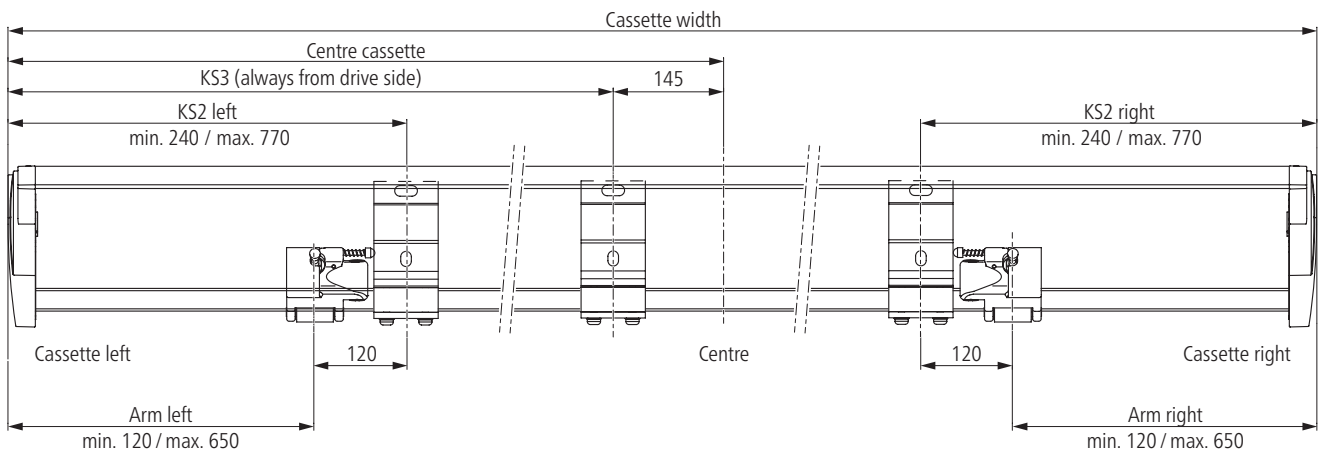
85 mm wall bracket on both sides (KS1 and KS2)



External 85 mm wall bracket (KS1)



Internal 85 mm wall bracket (KS2)



Comments:

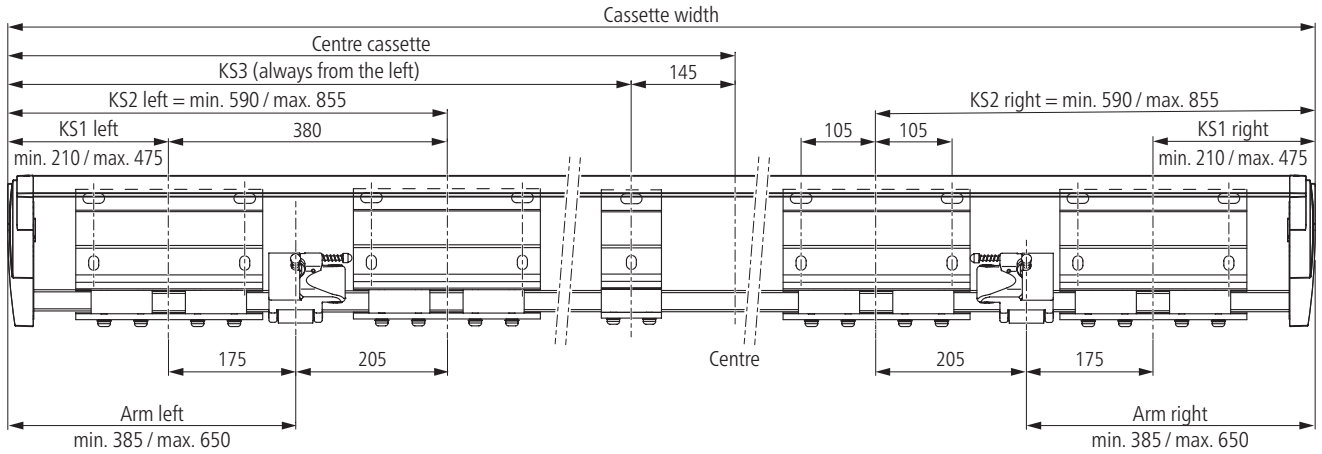
KS1 = external bracket

KS2 = internal bracket

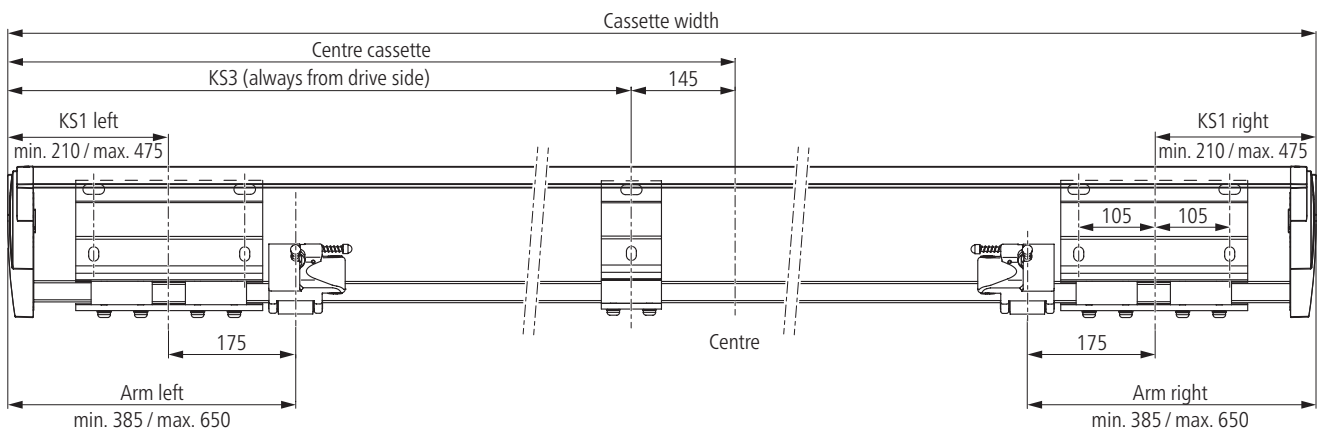
KS3 = centre bracket

Position/placing of wall brackets and Topas II

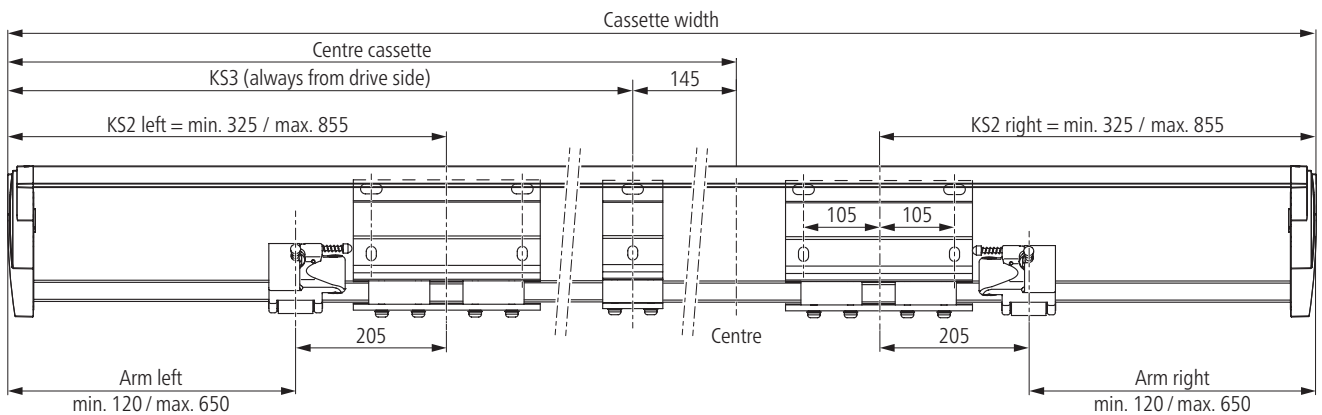
260 mm wall bracket on both sides (KS1 and KS2)



External 260 mm wall bracket (KS1)



Internal 260 mm wall bracket (KS2)

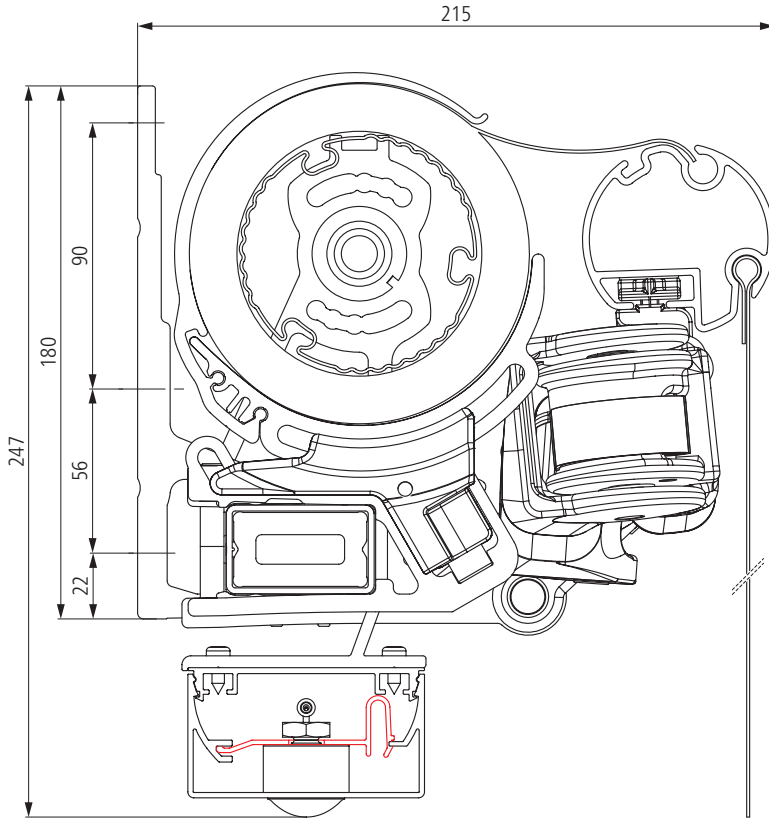


Comments:

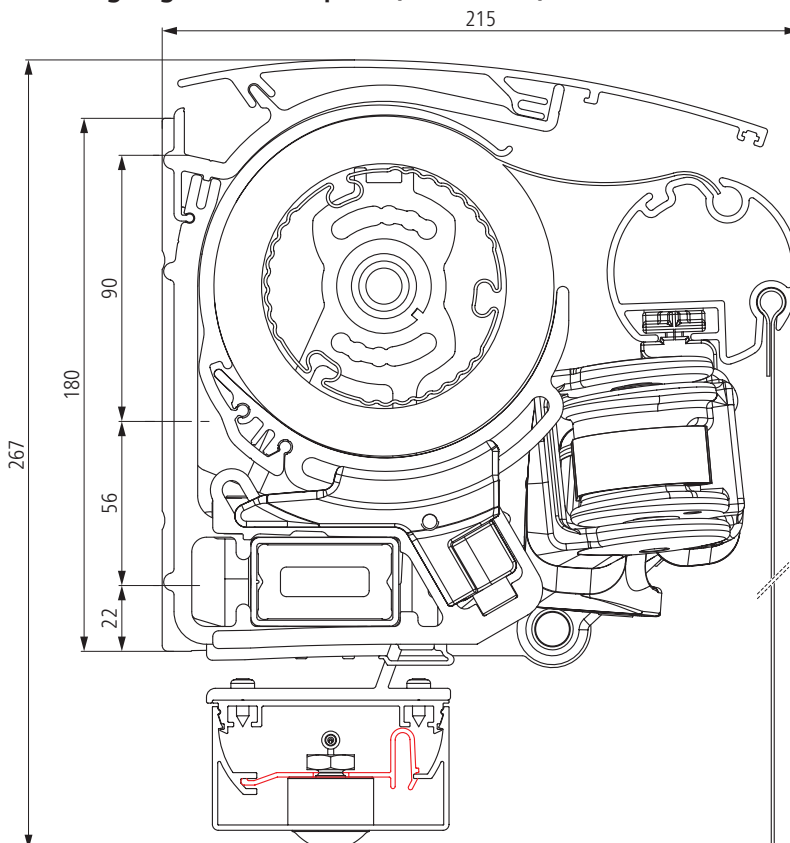
- KS1 = external bracket
- KS2 = internal bracket
- KS3 = centre bracket

Cross-sections

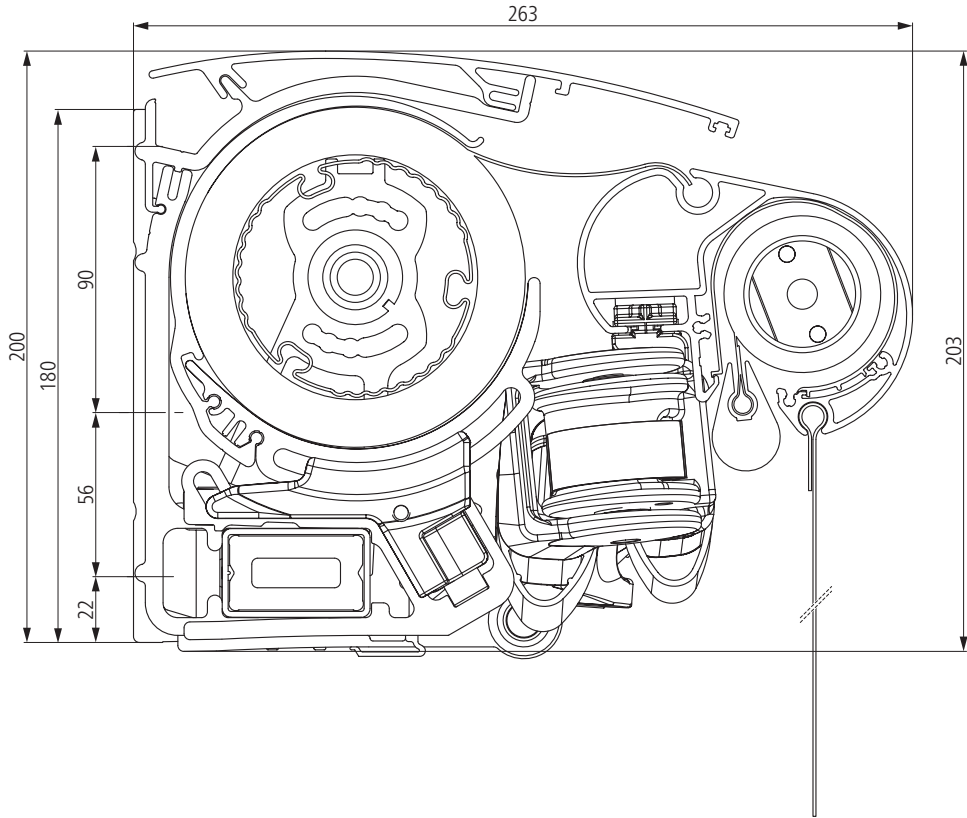
LED design light bar for Topas II (without a roof)



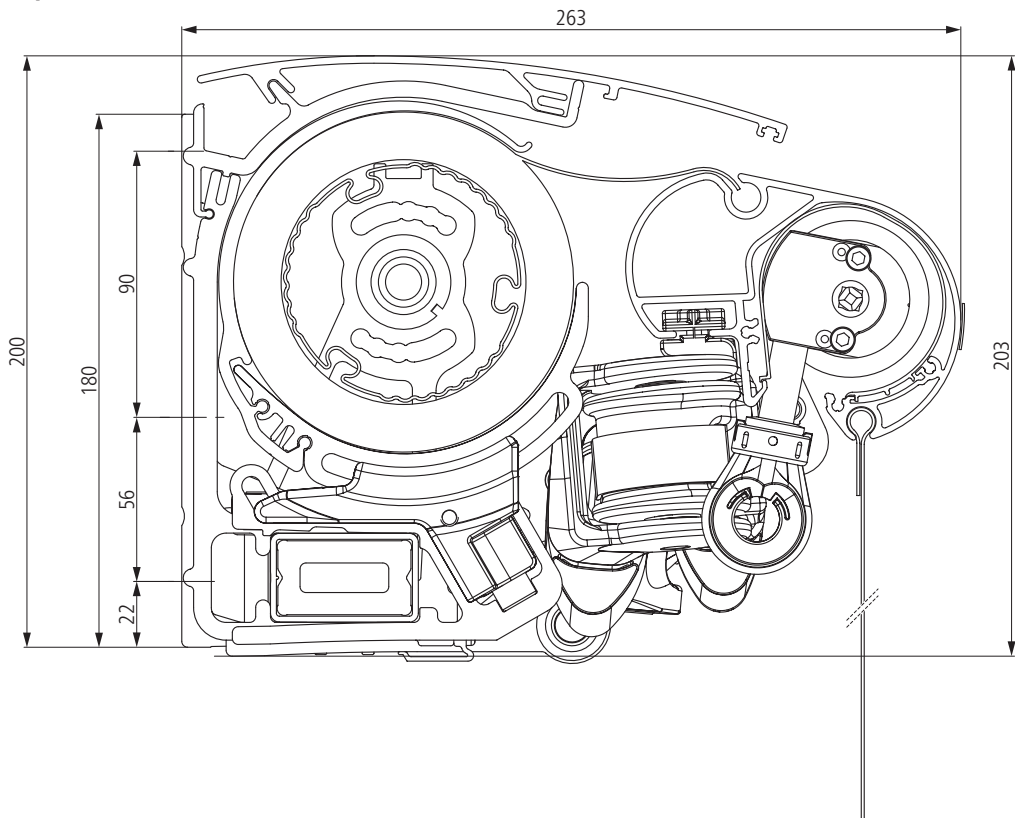
LED design light bar for Topas II (with a roof)



Topas II with a roof and Valance Plus motor



Topas II with a roof and Valance Plus crank drive

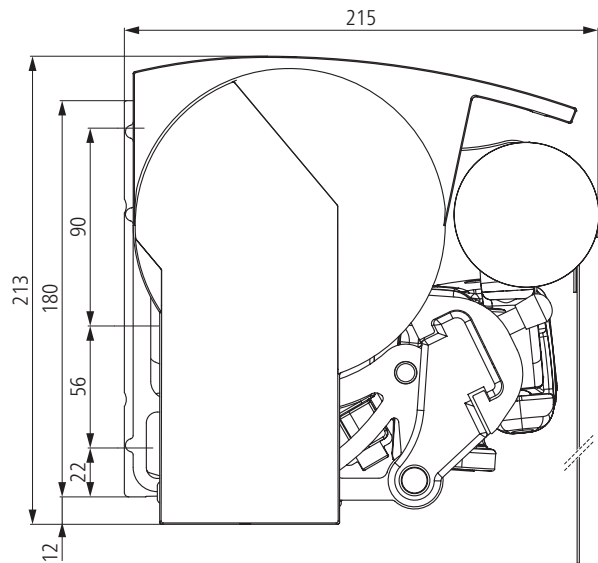


Topas II Installation

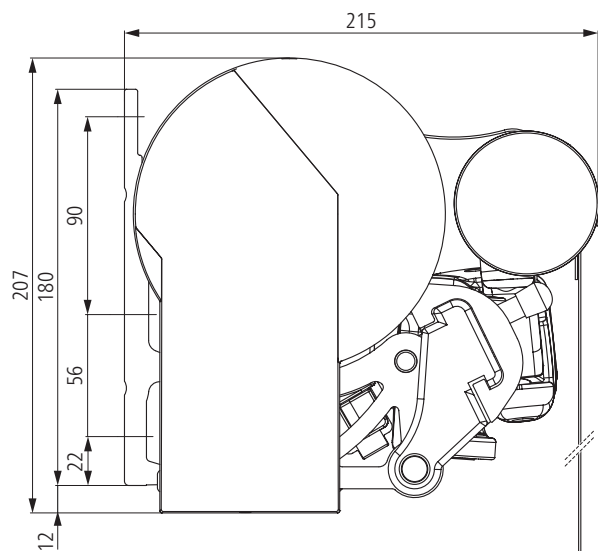
Wall mounting – brackets



Wall bracket (Topas II with a roof)



Wall bracket (Topas II without a roof)

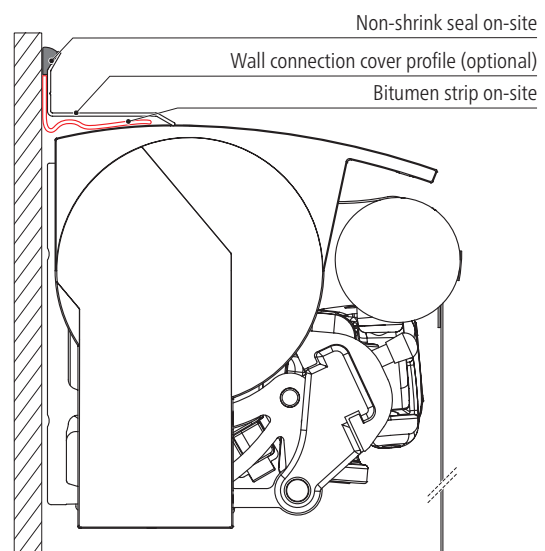


Wall connection with a top profile (optional)



Topas II with a roof and a top profile

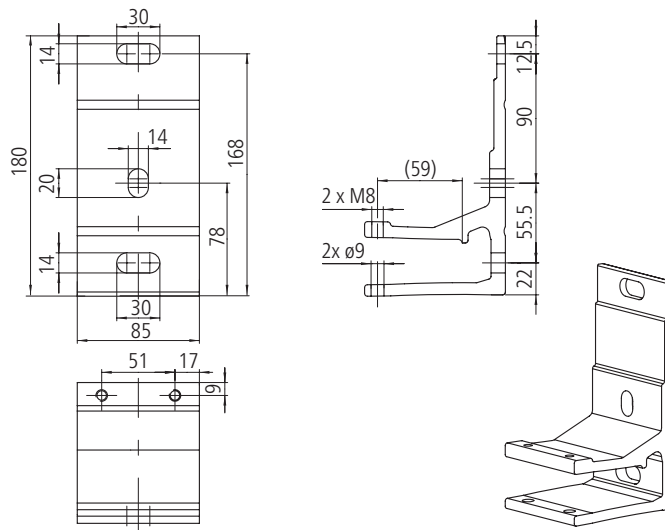
Wall connection with top profile (cross-section)



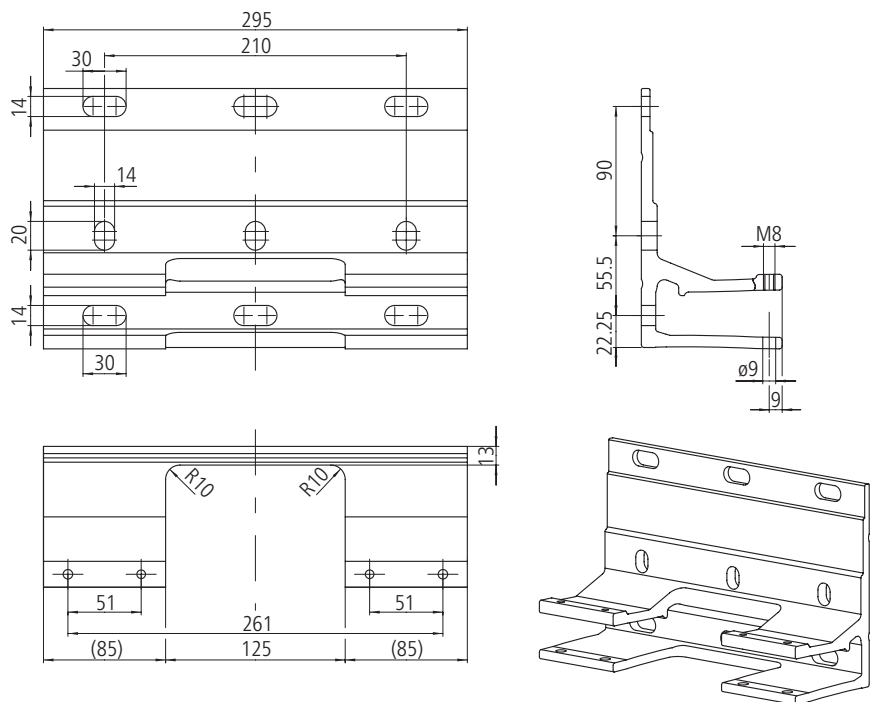
Wall mounting – brackets



85 mm wall bracket



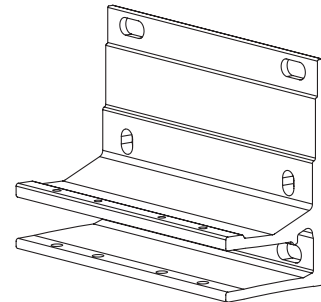
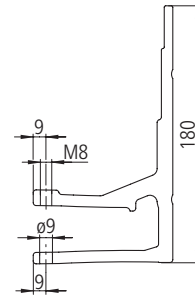
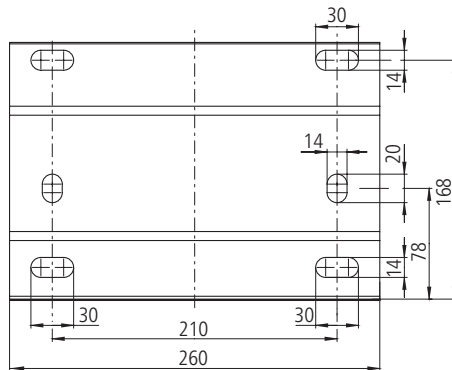
295 mm wall bracket (arm encapsulating)



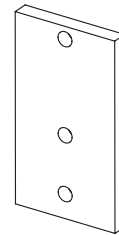
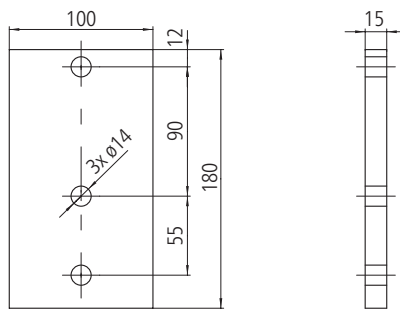
Wall mounting – brackets



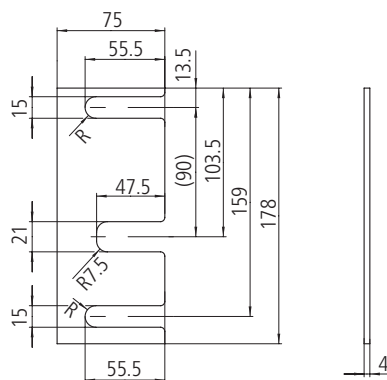
Wall bracket 260 mm



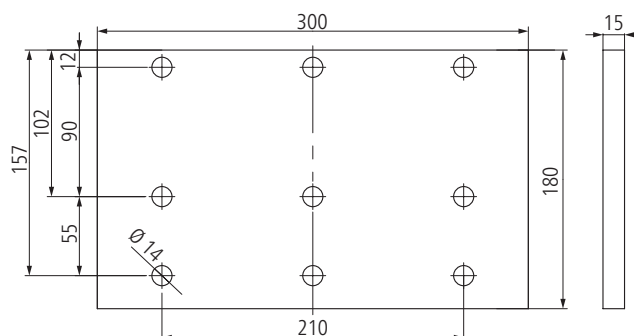
Base plate (100 x 180 x 15 mm)



Base plate (75 x 178 x 4 mm)



Base plate (300 x 180 x 15 mm)



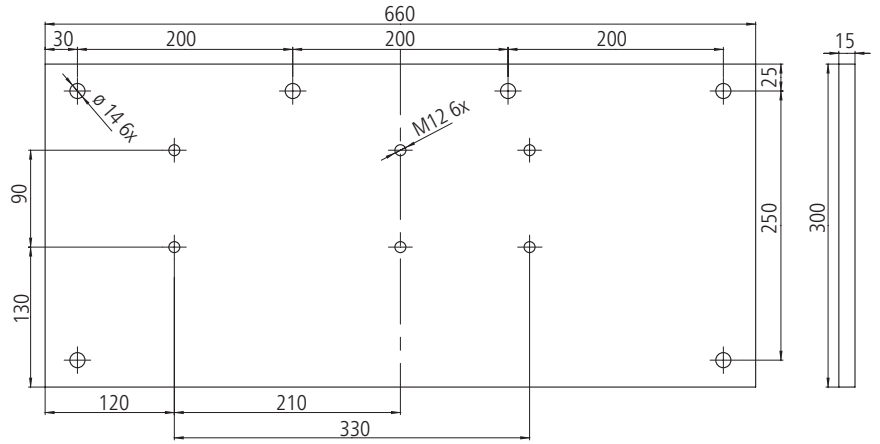
Wall installation – installation plates



Installation plate 660 x 300 x 15 mm*



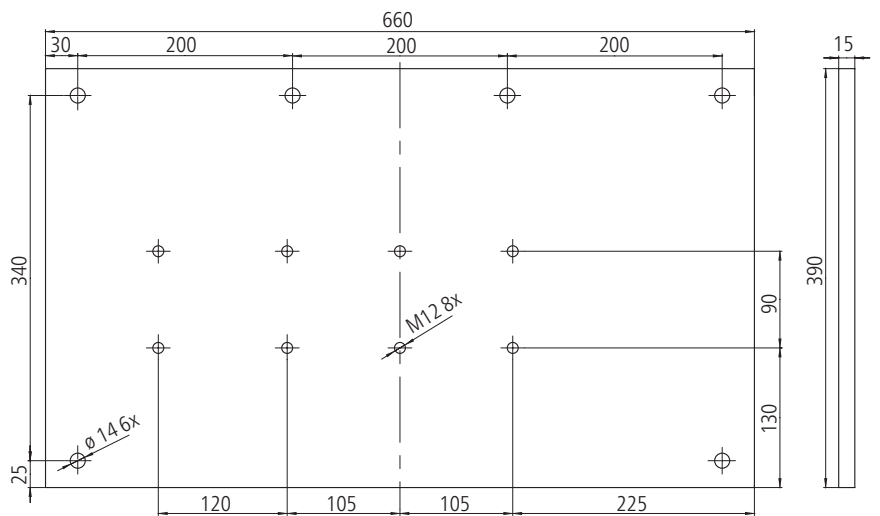
Position of the installation plates taking Topas II 500 x 300 cm** as an example



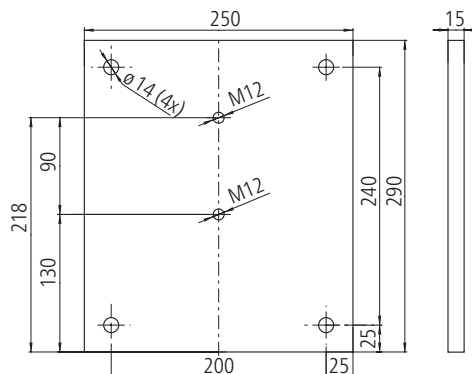
Installation plate 660 x 390 x 15 mm*



Position of the installation plates taking Topas II 500 x 300 cm** as an example



Installation plate 250 x 290 x 15 mm



* Installation plate also possible with two 85 mm wall brackets.

** Depending on the awning width, the positioning of the installation plates may vary.

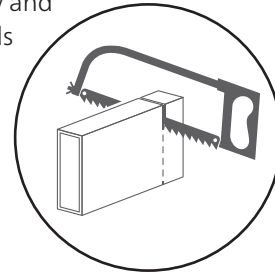
Installation with stand off brackets (special attachment)



Topas II with a stand off bracket, e.g. installation in front of a pipe

80 to 300 mm gaps can be bridged using the stand off bracket.

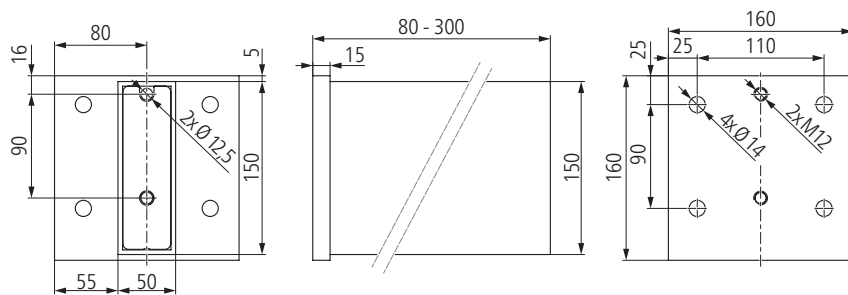
The stand off bracket can be cut to size on site if required. But for a more durable quality and better appearance weinor recommends ordering the bracket to the required dimensions, as it will be fully powder coated leaving no raw edges.



Stand off bracket for 85 mm wall bracket



Stand off bracket with a 85 mm wall bracket



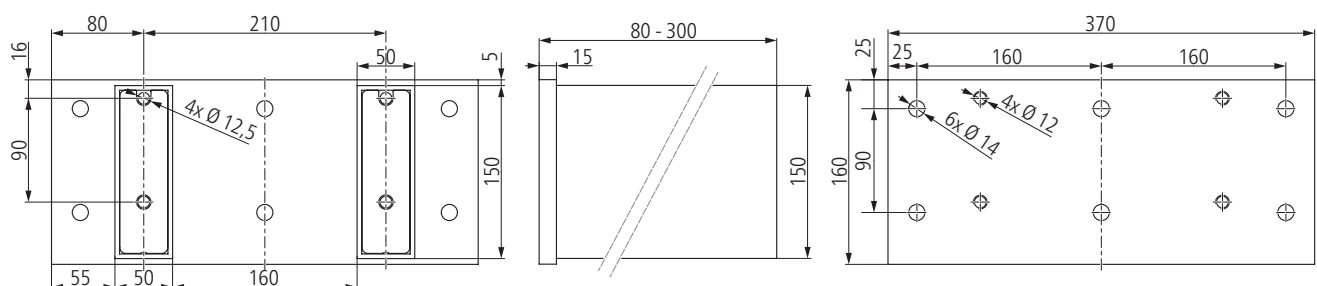
Stand off bracket for two 85 mm wall brackets or one 260 mm wall bracket



Stand off bracket with two 85 mm wall brackets

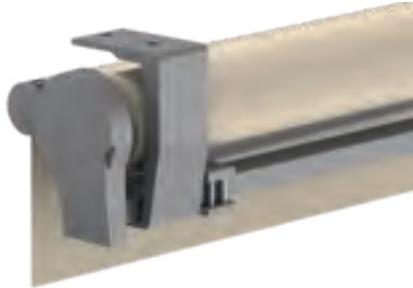


Stand off bracket with a 260 mm wall bracket



Ceiling installation

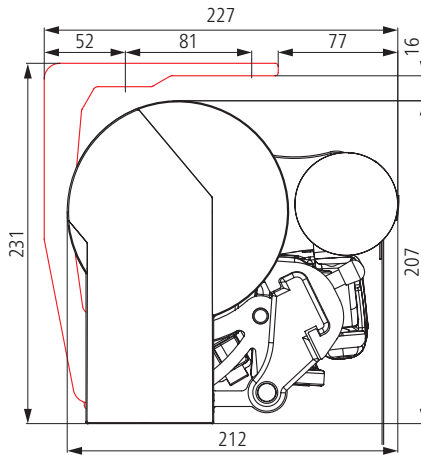
Topas II without a roof



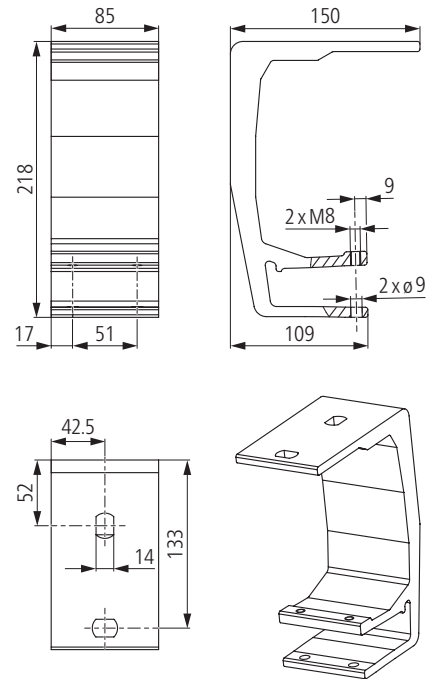
Compact ceiling bracket
(Topas II without a roof)



Compact ceiling bracket



Side view of Topas II without a roof with roller support bearing and compact ceiling bracket



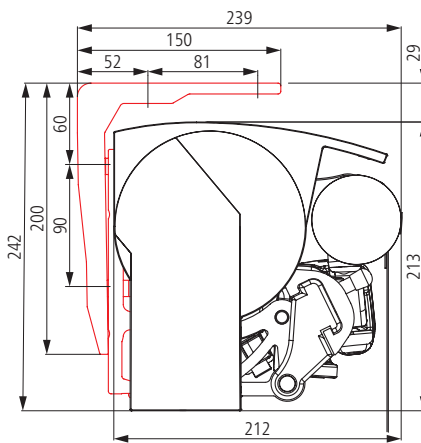
Topas II with a roof



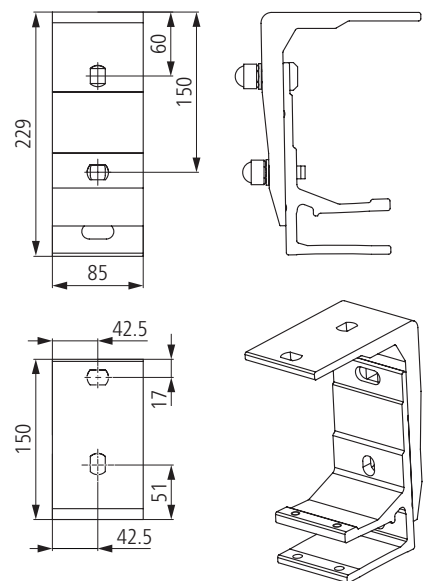
Ceiling bracket (2-part)
(Topas II with a roof)



Ceiling bracket (2-part)



Topas II side view with roof with ceiling bracket (2-part)

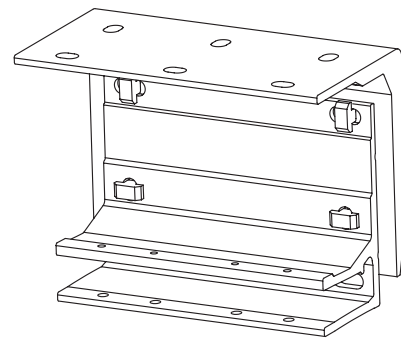
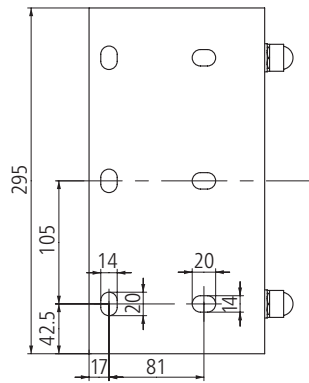
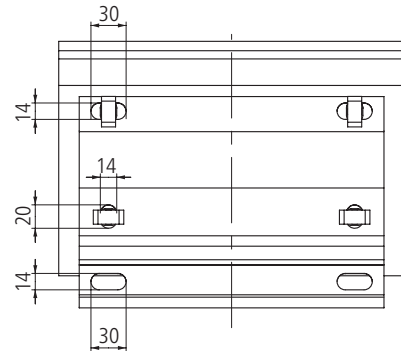
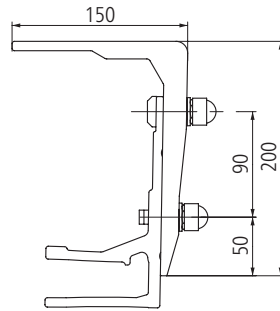


Topas II Installation

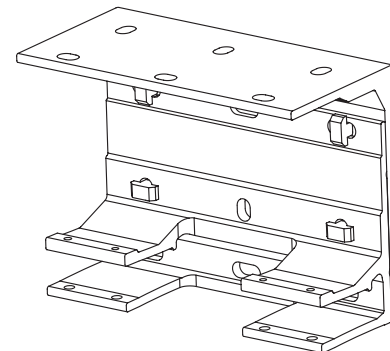
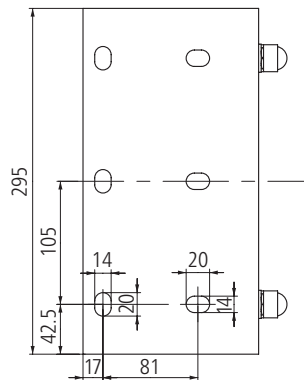
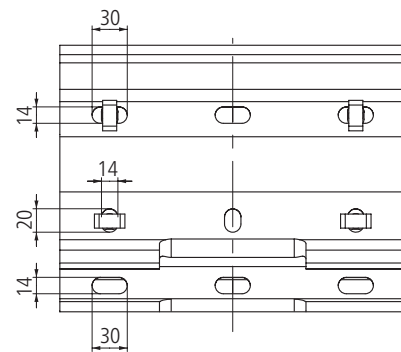
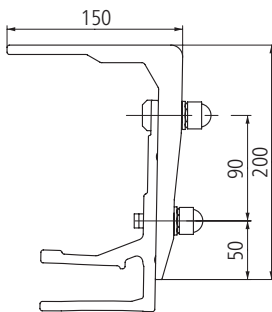
Ceiling installation



Ceiling bracket 295 mm with wall bracket 260 mm



Ceiling bracket 295 mm with wall bracket 295 mm (cannot be used for three-arm constructions!)



Rafter installation



Rafter bracket with installation plate



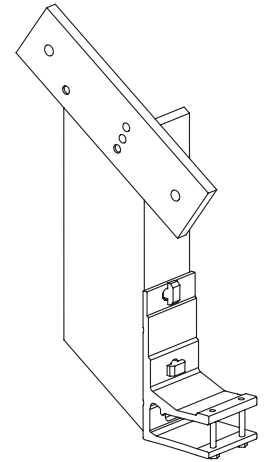
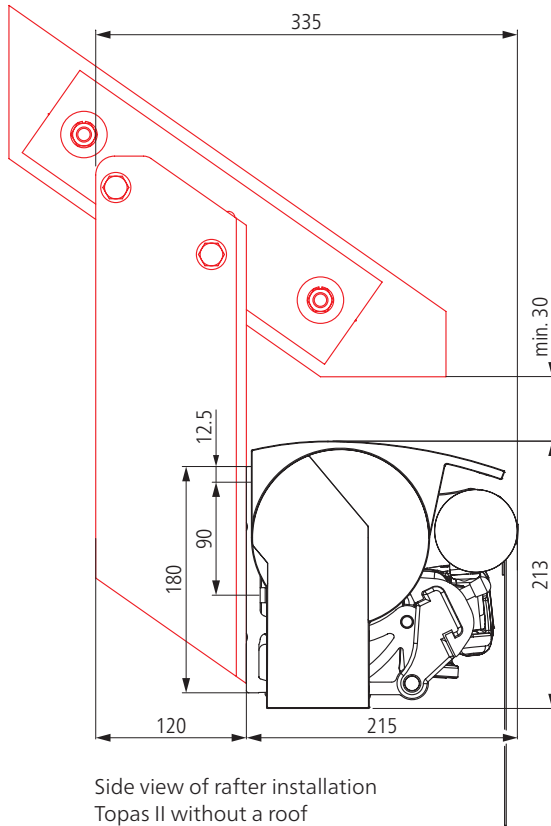
Rafter bracket and wall bracket, without installation plate



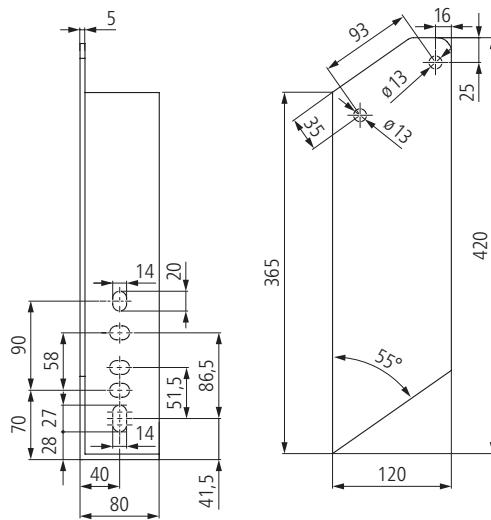
Rafter bracket (right)



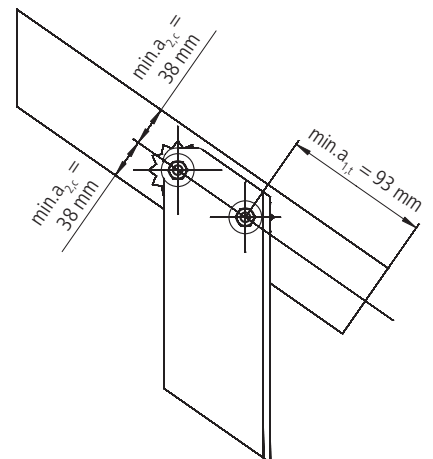
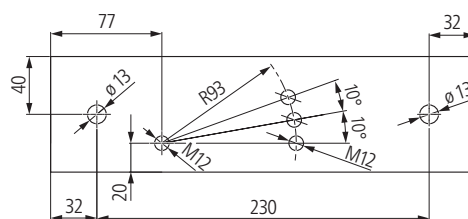
Installation plate for 294 x 80 x 15 mm rafter bracket



Rafter bracket with installation plate weinor recommends using the installation plate for rafter brackets.



Rafter bracket without installation plate



Topas II Installation

Extraction forces

The extraction force is the force with which the awning weight and the wind load pull on each upper and/or front fixing. The tables indicate this force in N per upper fixing. It varies depending on the awning size and the wall bracket / mounting plate used.

Selecting the wall bracket and anchoring system:

1. Consult relevant table for extraction force per fixing for selected awning size.
2. Select a wall bracket / mounting plate for which there is fixing material which can resist the indicated extraction force. Remember to take into account the spacing, the area which will be damaged if the fixing breaks out, the type of fixing material used and the mounting base.

Use the separate bracket overview for an exact planning of the awning attachment.

Extraction force in N per upper fixing for wall mounting

Brackets **without** mounting plates

Wall mounting with up to 200 mm facing (non-pressure-resistant surface)

Please observe the width to projection dimension limits for number of brackets per arm, as the width to projection ratio decreases when two brackets are used per arm. The extraction forces for the version "with Valance Plus" can be found in the bracket overview!

- 1 x wall bracket 85 mm per arm or
- 2 x wall bracket 85 mm per arm
Number of fixings: 4 or 8
- 1 x wall bracket 260 mm per arm or
- 2 x wall bracket 260 mm per arm
Number of fixings: 8 or 16
- 1 x wall bracket 295 mm per arm
Number of fixings: 12

Please note:

from a width of 401 cm or a projection of 360 cm additional

1 x wall bracket 85 mm as centre bracket is required.

This means an additional 2 fixings will be required always.

Taking the width to projection dimension limits into account, two brackets can also be used per arm instead of one bracket per arm.

Here, the indicated extraction force halves!

Does not apply to red-bordered cells and 295 mm wall bracket!

In the event of installation on a pressure-resistant surface, the indicated extraction force decreases (see bracket overview)

Width in cm	Projection in cm					
	150	200	250	300	350	400
200	754					
	377					
	251					
250	885	1339				
	442	669				
	295	446				
300	1016	1538	2189			
	508	769	1094			
	339	513	730			
350	1147	1737	2470	3382		
	573	869	1235	1691		
	382	579	823	1127		
400	1278	1937	2751	3758	2410	
	639	968	1375	1879	1205	
	426	646	917	1253	1606	
450	1408	2136	3032	4134	2652	3834
	704	1068	1516	2067	1326	1917
	469	712	1011	1378	1768	2556
500	1539	2335	3313	4510	3293	4190
	770	1168	1657	2255	1647	2095
	513	778	1104	1503	2196	2794
550	1670	2535	3594	2443	3577	4547
	835	1267	1797	1222	1788	2273
	557	845	1198	1629	2385	3031
600	1801	2734	3875	2991	3860	4903
	901	1367	1938	1495	1930	2451
	600	911	1292	1994	2573	3269
650	1932	2933	4156	3210	4144	5259
	966	1467	2078	1605	2072	2629
	644	978	1385	2140	2762	3506
700	2063	3133	5035	3428	3123	3977
	1032	1566	2517	1714	1561	1988
	688	1044	1678	2286		



Extraction forces

Extraction force in N per upper fixing for wall mounting

Brackets **with** mounting plates

Wall mounting with up to 200 mm facing (non-pressure-resistant surface)

Please observe the width to projection dimension limits for number of brackets per arm, as the width to projection ratio decreases when two brackets are used per arm. The extraction forces for the version "with Valance Plus" can be found in the bracket overview!

- 1 x mounting plate 250 x 290 x 15 mm incl. 1 x wall bracket 85 mm per arm
Number of fixings: 8
- 1 x mounting plate 450 x 200 x 30 mm incl. 1 x wall bracket 85 mm per arm or
- 1 x mounting plate 450 x 200 x 30 mm incl. 2 x wall bracket 85 mm per arm
Number of fixings: 12
- 1 x mounting plate 640 x 200 x 30 mm incl. 1 x wall bracket 85 mm per arm or
- 1 x mounting plate 640 x 200 x 30 mm incl. 2 x wall bracket 85 mm per arm
Number of fixings: 24
- 1 x mounting plate 660 x 300 x 15 mm incl. 1 x wall bracket 85 mm per arm or
- 1 x mounting plate 660 x 300 x 15 mm incl. 2 x wall bracket 85 mm per arm
Number of fixings: 12
- 1 x mounting plate 660 x 390 x 15 mm incl. 1 x wall bracket 85 mm per arm or
- 1 x mounting plate 660 x 390 x 15 mm incl. 2 x wall bracket 85 mm per arm
Number of fixings: 12

Please note:
from a width of 401 cm or a projection of 360 cm additional
 – for mounting plates with a thickness of **15 mm**
 1 x wall bracket 85 mm incl.
 1 x shim plate 100 x 180 x 15 mm as central bracket required.

– for mounting plates with a thickness of **30 mm**
 1 x wall bracket 85 mm incl.
 2 x shim plate 100 x 180 x 15 mm as central bracket required.

This means an additional 2 fixings will be required always.

Taking the width to projection dimension limits into account, two brackets can also be used per arm instead of one bracket per arm.

This has no impact on the extraction force! Does not apply to 250 x 290 x 15 mm mounting plate!

In the case of red-bordered cells, the bracket sub-assemblies are equipped with two brackets per arm.

In the event of installation on a pressure-resistant surface, the specified extraction force is reduced (see bracket overview)

Width in cm	Projection in cm					
	150	200	250	300	350	400
200	115					
	249					
	125					
	111					
	81					
250	135	204				
	293	441				
	146	220				
	130	196				
	96	144				
300	155	235	334			
	336	506	718			
	168	253	359			
	149	225	320			
	110	166	235			
350	175	265	376	515		
	379	572	810	1107		
	190	286	405	553		
	168	255	361	494		
	124	187	266	363		
400	195	296	419	572		
	422	637	902	1230	1574	
	211	319	451	615	787	
	188	284	402	549	704	
	138	209	296	404	517	
450	215	326	462	629		
	466	703	994	1353	1732	2501
	233	351	497	676	866	1251
	207	313	444	604	774	1119
	152	230	326	444	569	823
500	236	356	505	687		
	509	768	1086	1476	2152	2734
	254	384	543	738	1076	1367
	226	342	485	659	962	1223
	166	252	356	485	707	899
550	256	387	548	744		
	552	834	1179	1599	2337	2966
	276	417	589	799	1168	1483
	245	371	526	714	1044	1327
	180	273	387	525	768	975
600	276	417	590			
	595	899	1271	1958	2522	3199
	298	450	635	979	1261	1599
	265	401	567	874	1127	1431
	195	295	417	643	829	1052
650	296	448	633			
	639	965	1363	2101	2707	3431
	319	482	681	1050	1354	1715
	284	430	608	938	1210	1535
	209	316	447	690	890	1128
700	316	478	767			
	682	1030	1651	2244		
	341	515	826	1122		
	303	459	737	1002	912	1160
	223	337	542	737	670	853

Topas II Installation

Extraction forces

Extraction force in N per front fixing for ceiling mounting

Please observe the width to projection dimension limits for number of brackets per arm, as the width to projection ratio decreases when two brackets are used per arm. The extraction forces for the version "with Valance Plus" can be found in the bracket overview!

- 1 x ceiling bracket 85 mm incl.
1 x wall bracket 85 mm per arm
or
- 2 x ceiling bracket 85 mm incl.
2 x wall bracket 85 mm per arm
Number of fixings:
4 or 8
- 1 x ceiling bracket 295 mm incl.
1 x wall bracket 260 mm per arm
or
- 2 x ceiling bracket 295 mm incl.
2 x wall bracket 260 mm per arm
Number of fixings:
12 or 24
- 1 x ceiling bracket 295 mm incl.
1 x wall bracket 295 mm per arm
Number of fixings: 12

Please note:
from a width of 401 cm or a projection of 360 cm additional
1 x ceiling bracket 85 mm incl.
1 x wall bracket 85 mm
as central bracket required.
This means an additional 2 fixings will be required always.

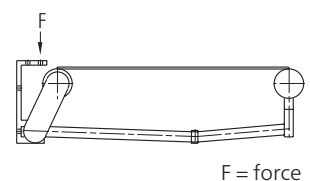
Taking the width to projection dimension limits into account, two brackets can also be used per arm instead of one bracket per arm.

Here, the indicated extraction force halves!

Does not apply to red-bordered cells and combination of wall bracket 295 mm with ceiling bracket 295 mm!

The values of the "ceiling bracket compact" are equivalent to the values of the combination ceiling bracket 85 mm with wall bracket 85 mm.

Width in cm	Projection in cm					
	150	200	250	300	350	400
200	907					
	310					
	309					
250	1059	1576				
	361	533				
	360	532				
300	1212	1806	2550			
	411	609	858			
	411	609	857			
350	1364	2035	2873	3920		
	462	686	965	1314		
	462	685	965	1314		
400	1516	2265	3195	4352	2792	
	513	762	1073	1458	938	
	512	762	1072	1458	1865	
450	1616	2441	3462	4725	3052	4400
	556	831	1172	1593	1028	1478
	556	831	1172	1593	2042	2941
500	1765	2666	3781	5152	3773	4807
	606	907	1279	1737	1269	1614
	606	907	1279	1736	2523	3212
550	1916	2895	4103	2810	4097	5215
	658	984	1387	948	1378	1750
	657	984	1387	1881	2740	3485
600	2064	3121	4421	3421	4420	5621
	708	1060	1494	1152	1485	1886
	707	1060	1494	2289	2955	3756
650	2212	3346	4740	3669	4743	6028
	758	1136	1601	1235	1593	2022
	758	1136	1601	2454	3170	4027
700	2361	3572	5710	3918	3583	4568
	808	1212	1926	1318	1205	1533
	808	1212	1925	2620		









Shear forces

Shear forces in N per fixing for rafter mounting

Please observe the width to projection dimension limits for number of brackets per arm, as the width to projection ratio decreases when two brackets are used per arm. The extraction forces for the version "with Valance Plus" can be found in the bracket overview!

Rafter brackets are available as both left and right handed

-  1x rafter bracket incl.
1x wall bracket 85 mm per arm or
-  2x rafter bracket incl.
2x wall bracket 85 mm per arm
Applies to two brackets per arm on a rafter.
- or
-  2x rafter bracket incl.
2x wall bracket 85 mm per arm
Applies to two brackets per arm, each with separate rafters.
-  1x rafter bracket mit
1x mounting plate for rafter incl.
1x wall bracket 85 mm per arm
- or
-  2x rafter bracket mit
2x mounting plate for rafter incl.
2x wall bracket 85 mm per arm
Applies to two brackets per arm on a rafter.
- or
-  2x rafter bracket mit
2x mounting plate for rafter incl.
2x wall bracket 85 mm per arm
Applies to two brackets per arm, each with separate rafters.

Please note:
from a width of 401 cm or a projection of 360 cm additional
1x rafter bracket incl.
1x wall bracket 85 mm
as central bracket required.

Taking the width to projection dimension limits into account, two brackets can also be used per arm instead of one bracket per arm.

Here, the indicated extraction force halves!

Applies only in the case of two brackets per arm on separate rafters respectively! If two brackets per arm are mounted on one rafter, the shear force does not decrease!

weinor recommends the use of rafter brackets with mounting plate!

In the case of rafter mounting, the fixings are included in the order.

Width in cm	Projection in cm					
	150	200	250	300	350	400
200	1270					
	581					
250	1485	2194				
	675	964				
300	1699	2515	3532			
	769	1101	1516			
350	1914	2836	3980	5407		
	863	1238	1705	2287		
400	2128	3157	4428	6003	7668	
					3834	
	956	1375	1893	2535	3222	
					1611	
450	2291	3424	4821	6540	8369	12050
					4198	6040
	998	1459	2026	2725	3473	4966
					1751	2498
500	2501	3741	5265	7132	10368	13165
					5199	6598
	1088	1592	2210	2969	4287	5421
					2159	2727
550	2715	4061	5712		7734	11260
					3882	5646
	1181	1728	2398		3226	4654
					1629	2344
600	2925	4378	6156		9440	12148
					4736	6091
	1271	1861	2583		3921	5018
					1978	2527
650	3136	4695	6600		10127	13036
					5081	6536
	1361	1994	2767		4204	5383
					2120	2710
700	3346	5011	7969		10814	9848
					5425	4935
	1451	2127	3326		4487	4083
					2262	2053

