



04

**Conservatory awning**

Sottezza Pure Sottezza Originale

# Sottezza Pure and Originale

## Stretch/LED | OptiStretch/LED

The undermounted conservatory roof awnings **Sottezza Pure and Originale** have both tried and tested technology and state-of-the-art features. Technical details such as the highly resilient aluminium rope drum or the weinor carriage system ensure high quality and a long operating life. With the classical **Sottezza Originale** round design and the modern look of the cubic **Sottezza Pure**, weinor has a solution suitable for all styles and tastes. Both awnings can easily be combined with the weinor range of patio roofs, but also with roof systems from other manufacturers. Their textile appearance brings a healthy homely feeling to your favourite weather protected space, whilst the LED lighting integrates harmoniously into the cassette and spreads atmospheric light.



**Cubic design:**

Complements Terrazza Pure and Terrazza Sempra perfectly



**High-quality aluminium rope drum**

For good stability and resilience



**Easy-install construction:**

Simple installation and maintenance with specially flat retaining brackets



**Integrated LED spotlights**

for an atmospheric ambience

# Sottezza Pure Highlights



**Flush front profile**  
Reduces the light gap

**04**



**Tried-and-tested rope tensioning system**  
For the best possible fabric positioning



**OptiStretch system**  
Prevents hanging fabric edges



**Classical round design:**  
Rounds off Terrazza Originala perfectly



**High-quality aluminium rope drum**  
For good stability and resilience



**Easy-install construction:**  
Simple installation and maintenance with specially flat retaining brackets



**Integrated LED spotlights**  
for an atmospheric ambience

# Sottezza Originale Highlights



**Flush front profile**  
Reduces the light gap

**04**

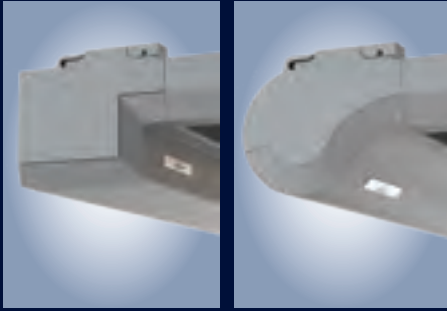


**Tried-and-tested rope tensioning system**  
For the best possible fabric positioning



**OptiStretch system**  
Prevents hanging fabric edges

# Sottezza Pure and Originale Benefits



## Modern design in two design styles

Due to its cubic design, Sottezza Pure matches the weinor patio roofs Terrazza Pure and Terrazza Sempra perfectly. With its classical round design, Sottezza Originale complements the Terrazza Originale perfectly

- In combination with weinor patio roofs: Design which gives the impression of a single, uniform piece
- It can also easily be combined with patio roofs and conservatories from other manufacturers.



## Proven and reliable rope tensioning system from the conservatory awnings family

The tried-and-tested rope tensioning system also ensures even fabric positioning as well as fast and easy installation.

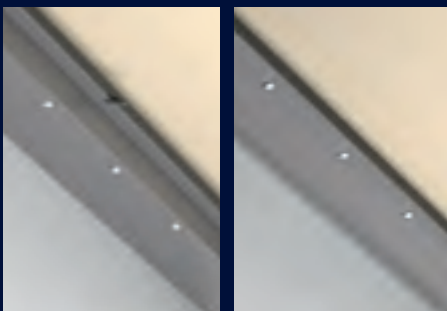
- High-quality aluminium rope drum for good stability and resilience
- Textile rope from open ocean sailing technology, break and strain resistant, tried-and-tested for many years
- Long-lasting equalised fabric tautness with pulley block technology



## weinor carriage system – precise and low-noise

The tried and proven weinor carriage convinces with its especially easy and quiet extension and retraction

- Plastic precision rollers for reduced rolling friction



## Dimmable LED lighting - integrated in the cassette

The cassette with the integrated LED lighting discreetly blends into the architecture of the patio roof.

- Inconspicuous cassette design – without visible bolting
- 30,000 LED light hours with lowest energy consumption (85% electricity saving compared to halogen technology)
- Dimmable LED with the weinor BiConnect remote controller or Somfy io-homecontrol®

## Sottezza Pure and Originale Benefits



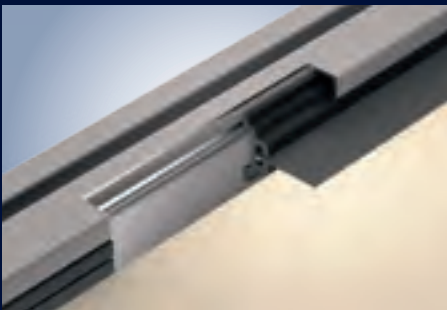
### Flush front profile – reduces the light gap

In addition to its attractive appearance where the front profile ends flush with the guide rail end cap, the light gap could be reduced here.



### Installation-friendly system – only 2 installers are required

- Cassette and support channels must be installed separately
- weinor LED lighting integrated into the cassette – no extra installation necessary
- Simple installation of the awning: Attach housing and release
- Minor roof inaccuracies can be equalised by shifting the cassette or support channels



### Clever versions – Stretch and OptiStretch

**Stretch:** The regular fabric positioning creates a cosy atmosphere.

- Slim support channels
- Sottezza Pure and Originale Stretch open at the sides with a small fabric gap (approx. 0.5 to 2.5 cm)

**OptiStretch:** The construction completely closed all round ensures a well-tensioned fabric without any hanging fabric edges at the side. In very large constructions, it reduces the central sagging of the fabric during extension and retraction.

- Sottezza Pure and Originale OptiStretch completely without a fabric gap

# Sottezza Pure and Originale Technology

Versions of Sottezza Pure and Originale	Sottezza Pure and Originale Stretch	Sottezza Pure and Originale OptiStretch	Sottezza Pure and Originale Stretch LED	Sottezza Pure and Originale OptiStretch LED
<b>Technology</b>				
Max. width	600 cm (up to 400 cm projection)	600 cm	600 cm (up to 400 cm projection)	600 cm
Max. projection	500 cm (only up to 450 cm cassette width)	500 cm	500 cm (only up to 450 cm cassette width)	500 cm
Max. fabric area	24 m <sup>2</sup>	30 m <sup>2</sup>	24 m <sup>2</sup>	30 m <sup>2</sup>
Cassette size (width x height)	318 x 150 mm	318 x 150 mm	318 x 150 mm	318 x 150 mm
Gear handle drive	—	—	—	—
Motor drive	● as standard	● as standard	● as standard	● as standard
Awning pitch*	3° – 45°	3° – 45°	3° – 45°	3° – 45°
Installation alternatives	installation under glass	installation under glass	installation under glass	installation under glass
High-power LED spotlight lighting	—	—	● integrated in the cassette	● integrated in the cassette
<b>Fabric</b>				
weinor fabric collection	●	●	●	●
Other fabric collections	○	○	○	○
<b>Accessories</b>				
Tempura/Tempura Quadra heating system	○	○	○	○
<b>Controls</b>				
Remote control	○	○	○	○
No remote control	●	●	●	●
<b>Weather sensors</b>				
Sun/wind sensor	○	○	○	○
Sun/wind sensor solar-powered	○	○	○	○
Sun/wind/rain sensor	○	○	○	○

\* Sottezza Pure and Originale possible in connection with Terrazza Pure with 0° pitch.

● standard ○ optional — unavailable

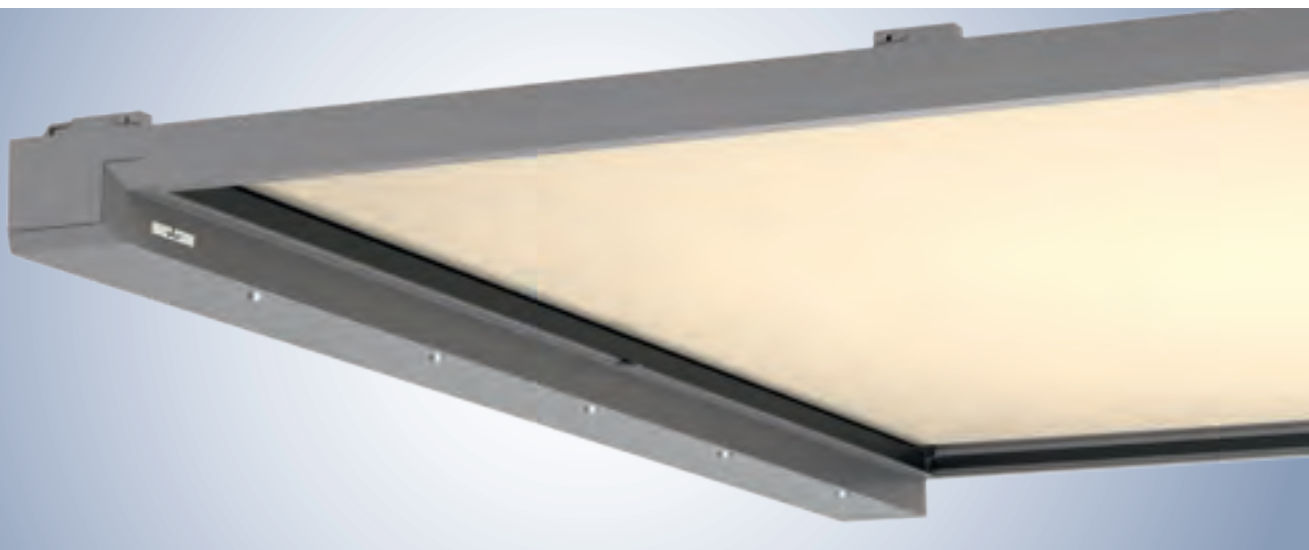


### Please note:

Sottezza Pure and Originale should only ever be installed under a glazed/solid roof and must not be directly exposed to rainfall and the elements.



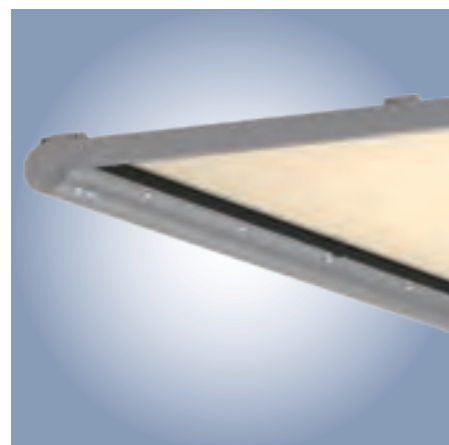
# Sottezza Pure and Originale LED



## LED lighting – 30,000 hours of lighting require lowest energy consumption

The selected high-power LED components represent the very best in weinor quality:

- Integrated into the cassette
- Atmospheric light thanks to special glass lenses
- Lighting remains on even when awning is retracted
- Especially energy-efficient (85% power saving in comparison to halogen technology)
- Operating life of 30,000 hours
- Dimmable when used with BiConnect or Somfy io-homecontrol® radio control
- Easy to service: simply replace individual LED lights without uninstalling the awning



04

### Integrated LED lighting

Awning width in cm	Number of separate LED spotlights	Awning width in cm	Number of separate LED spotlights
81-110	1	330-384	6
111-164	2	385-439	7
165-219	3	440-494	8
220-274	4	495-549	9
275-329	5	550-600	10

# Sottezza Pure and Originale Control



## Installation location for receiver, power supply pack and further electrical components

The receiver is accommodated in the cassette. The faceplate can be easily opened for servicing purposes. The receiver is then easily accessible.

## weinor BiConnect radio technology

Product	Electronics	BiConnect control	Remote receiver	Transmitter
Sottezza Pure and Originale	Sottezza Pure and Originale drive	<ul style="list-style-type: none"> <li>• BiRec receiver integrated into cassette</li> </ul>	BiRec MA-K	<ul style="list-style-type: none"> <li>• BiEasy 1M/5M/15M Go! hand transmitter</li> <li>• 1MW-3V wall transmitter</li> </ul>
Sottezza Pure and Originale LED	Sottezza Pure and Originale drive and LED lighting	<ul style="list-style-type: none"> <li>• BiRec combi-receiver for main drive and LED spotlights (with integrated power supply pack) integrated into cassette</li> <li>• LED dimmable</li> </ul>	BiRec MLED	<ul style="list-style-type: none"> <li>• BiEasy 5M/15M Go! hand transmitter</li> </ul>
Accessories (optional)	Tempura/Tempura Quadra heating	<ul style="list-style-type: none"> <li>• Dimmable, additional receiver required</li> <li>• Accommodation of receiver in the design bar provided for this purpose or the Tempura Quadra box</li> </ul>	BiRec HD	<ul style="list-style-type: none"> <li>• BiEasy 5M/15M Go! hand transmitter</li> </ul>

## Sottezza Pure and Originale Control

### Somfy io-homecontrol® radio technology

Product	Electronics	Somfy io-homecontrol control	Remote receiver	Transmitter
Sottezza Pure and Originale	Sottezza Pure and Originale drive	<ul style="list-style-type: none"> <li>Somfy io remote-controlled motor integrated into cassette</li> </ul>	Somfy io remote-controlled motor	<ul style="list-style-type: none"> <li>Situo 1 io Pure II/Situo 5 io Pure II/Situo 5 Variation A/M io Pure II hand transmitter</li> <li>Smoove 1 io Pure Shine wall-mounted transmitter</li> </ul>
Sottezza Pure and Originale LED	Sottezza Pure and Originale drive and LED lighting	<ul style="list-style-type: none"> <li>Somfy io remote-controlled motor integrated into cassette</li> <li>Additional Somfy receiver for the LED spotlights (with downstream power supply pack) integrated into cassette</li> <li>LED dimmable</li> </ul>	Somfy io remote-controlled motor and Lighting Receiver Variation io (dimmable)	<ul style="list-style-type: none"> <li>Situo 5 io Pure II/Situo 5 Variation A/M io Pure II hand transmitter</li> </ul>
Accessories (optional)	Tempura/Tempura Quadra heating	<ul style="list-style-type: none"> <li>Dimmable, additional receiver required</li> <li>Accommodation of receiver in the design bar provided for this purpose or the Tempura Quadra box</li> </ul>	Heating Receiver Variation io 1.5 kW STAS3/STAK3 (dimmable)	<ul style="list-style-type: none"> <li>Situo 5 io Pure II/Situo 5 Variation A/M io Pure II hand transmitter</li> <li>Smoove 1 io Pure Shine wall transmitter</li> </ul>

04

### Somfy RTS radio technology

Product	Electronics	Somfy RTS control	Remote receiver	Transmitter
Sottezza Pure and Originale	Sottezza Pure and Originale drive	<ul style="list-style-type: none"> <li>Somfy RTS remote-controlled motor integrated into cassette</li> </ul>	Somfy RTS remote-controlled motor	<ul style="list-style-type: none"> <li>Situo 1 RTS Pure II/Situo 1 Soliris RTS Pure II/Situo 5 RTS Pure II/Situo 5 Soliris RTS Pure II hand transmitter</li> <li>Smoove 1 RTS Pure Shine wall-mounted transmitter</li> </ul>
Sottezza Pure and Originale LED	Sottezza Pure and Originale drive and LED lighting	<ul style="list-style-type: none"> <li>Somfy RTS remote-controlled motor integrated into cassette</li> <li>Additional Somfy receiver for the LED spotlights (with downstream power supply pack) integrated into cassette</li> <li>LED not dimmable</li> </ul>	Somfy RTS remote-controlled motor and RTS Lighting Slim Receiver	<ul style="list-style-type: none"> <li>Situo 5 RTS Pure II/Situo 5 Soliris RTS Pure II hand transmitter</li> </ul>



**Please note:**

Please see the "Accessories" technical brochure for further information regarding the drive and control.

Individual options are subject to a surcharge. For prices, please refer to the weinor awnings price list.

## Sottezza Pure and Originale Control

### Hard wired with Somfy control

Product	Electronics	Firmly wired Somfy control	Controls
Sottezza Pure and Originale	Sottezza Pure and Originale drive	<ul style="list-style-type: none"> <li>Somfy control for awning drive</li> </ul>	e.g. Soliris Smooove Uno
Sottezza Pure and Originale LED	Sottezza Pure and Originale drive and LED lighting	<ul style="list-style-type: none"> <li>Somfy control for awning drive</li> <li>Commutator on-site for the LED spotlights</li> <li>LED power supply pack integrated into the cassette</li> <li>LED not dimmable</li> </ul>	e.g. Soliris Smooove Uno and suitable light switch (existing)
Accessories (optional)	Tempura/Tempura Quadra heating	<ul style="list-style-type: none"> <li>not dimmable</li> </ul>	Suitable switch (on-site)

### Hard wired (existing switch/power supply on site)

Product	Electronics	Firmly wired control	Controls
Sottezza Pure and Originale	Sottezza Pure and Originale drive	<ul style="list-style-type: none"> <li>Awning switch for the awning drive</li> </ul>	e.g. double rocker switches (on-site)
Sottezza Pure and Originale LED	Sottezza Pure and Originale drive and LED lighting	<ul style="list-style-type: none"> <li>Awning switch for the awning drive</li> <li>Existing switch for the LED spotlights</li> <li>LED power supply pack integrated into the cassette</li> <li>LED not dimmable</li> </ul>	e.g. double rocker switches and suitable light switch (on-site)
Accessories (optional)	Tempura/Tempura Quadra heating	<ul style="list-style-type: none"> <li>not dimmable</li> </ul>	Suitable switch (on-site)



# Sottezza Pure and Originale

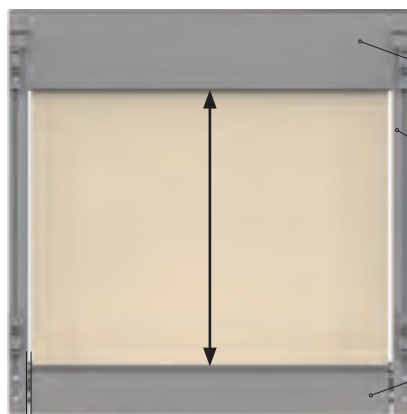
## The Stretch and OptiStretch system in comparison



The Sottezza Pure and Originale Stretch and OptiStretch consist of identical frame systems and use the same conservatory awning tensioning system. The fabric guide is the difference between the two systems. In the Stretch System, the fabric is tensioned between the roller tube and the front profile, while in the OptiStretch, the fabric is additionally guided sideways in the guide rail in the fabric guide profile. The OptiStretch thus achieves a significantly higher degree of fabric tensioning.

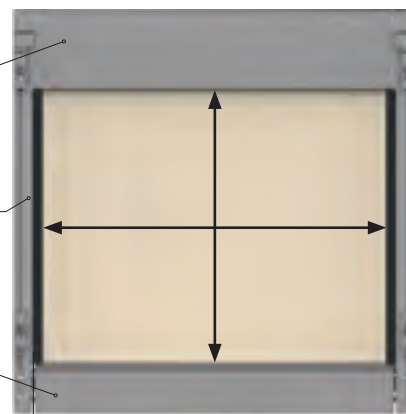
04

### The Stretch System

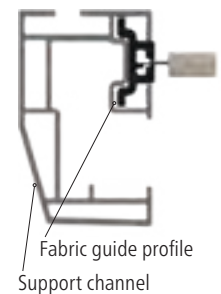


Fabric gap max. 25 cm on each side using Sottezza Pure as an example

### The OptiStretch System



No fabric gap using Sottezza Pure as an example



In the Stretch System, the fabric is tensioned between the roller tube and the front profile in the extension direction. A gap remains between the fabric and the support channel.

- The fabric gap can be up to 25 mm wide
- For large constructions, the fabric sag can be up to approx. 15 cm.
- It is possible to use distance ropes to support the fabric (number depends on projection)
- Stretching of side edges in the case of acrylic and polyester is possible

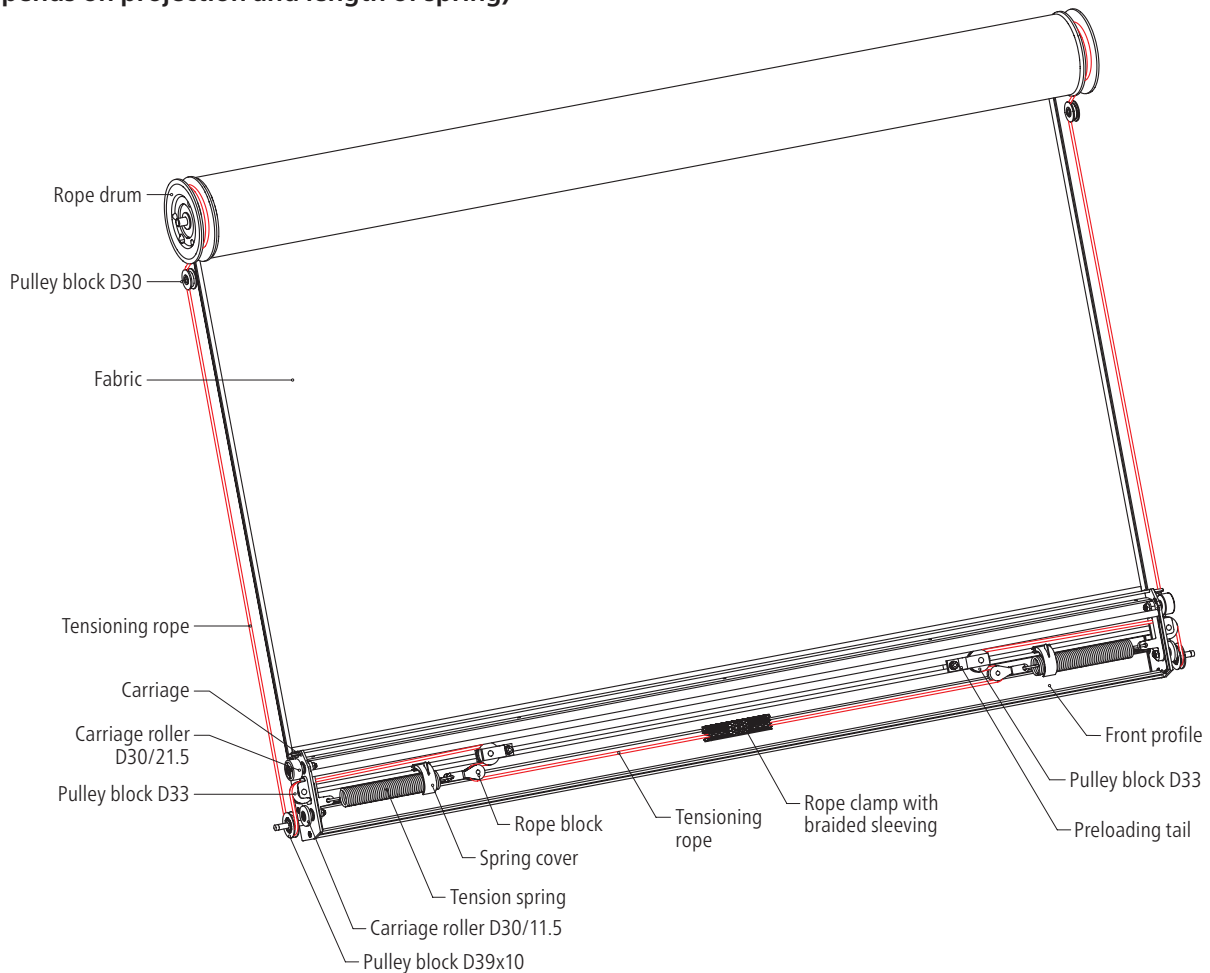
In the OptiStretch system, the sun protection fabric is guided in a PVC fabric guide profile inside the support channel. This allows optimum fabric tensioning to be achieved in all 4 directions and the system is completely closed without a gap at the side.

- Optimum tensioned fabric
- No possibility of sideways reveal
- Without a fabric gap
- Fabric taut on 4 sides
- Better rolling properties

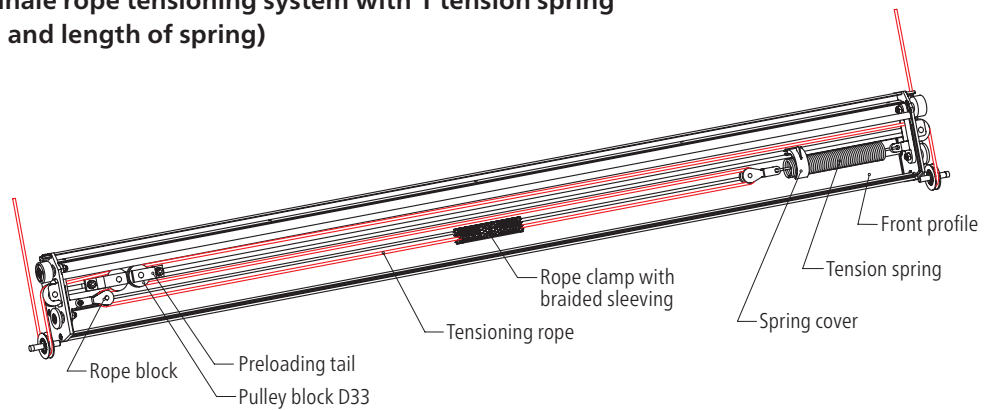
## Sottezza Pure and Originale Stretch/OptiStretch

### Fabric tension technology tensioning system

Sottezza Pure and Originale rope tensioning system with 2 tension springs  
(depends on projection and length of spring)



Sottezza Pure and Originale rope tensioning system with 1 tension spring  
(depends on projection and length of spring)



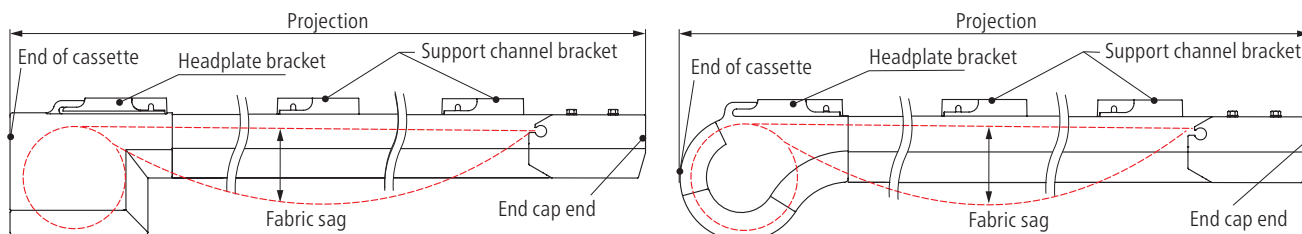
#### Important note

The tensioning system rope is wound on a rope drum in the cassette as soon as the awning is extended. The width of the rope drum is sufficient for taking several wound lengths of rope lying side-by-side. Once there is no more space at the side, the rope in the next bearing will wind over the one before. The rope can sometimes bounce and cause a noise.

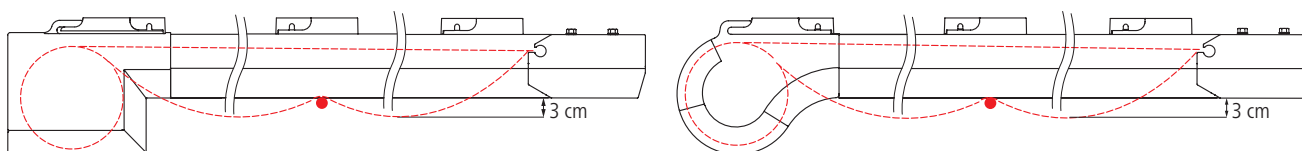
# Sottezza Pure and Originale Stretch

## Distance ropes with the Sottezza Pure and Originale Stretch/LED

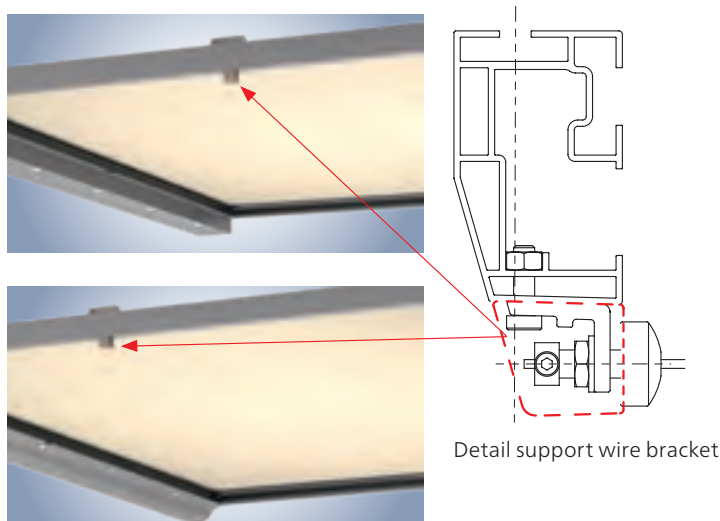
### Use of distance ropes for Sottezza Pure and Originale Stretch/LED\*



### Effect of a distance rope\*



\* Schematic diagrams for the demonstration of the mode of action of the rope tensioner.



Detail support wire bracket

### Distance ropes

Distance ropes are used in large constructions to limit fabric sag.

### Operation of the distance ropes:

- After the awning has been completely ascended, after installation, side edges of fabric should be at most 3 cm beneath the bottom edge of the support channels.

### Position of the support wire brackets:

- In the vicinity of the support channel brackets
- Evenly distributed across the projection angled at regular intervals

### Standard number of distance ropes

Cassette width in cm	Projection in cm						
	up to 200	201–250	251–300	301–350	351–400	401–450	451–500
up to 400	–	–	–	–	1	1	2
401–450	–	–	1	1	2	2	3
451–500	–	–	1	1	2	2	▲
501–550	–	–	1	1	2	▲	▲
551–600	–	–	1	1	2	▲	▲

– No distance rope is required

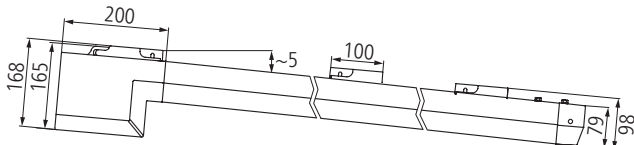
▲ Construction size is not possible

The following table shows the minimum number of distance ropes, depending on the projection and cassette width. Additional distance ropes are recommended in case of heavy wind impact. In principle, the Sottezza Pure OptiStretch does not require a distance rope. These are optionally available for the achievement of the wind resistance class 2.

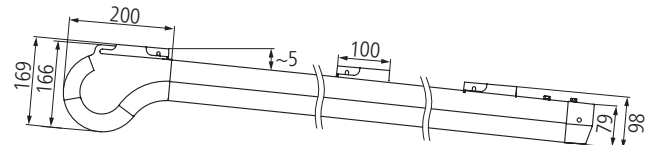
# Sottezza Pure and Originale Planning

## General views of flat single-panel flat system

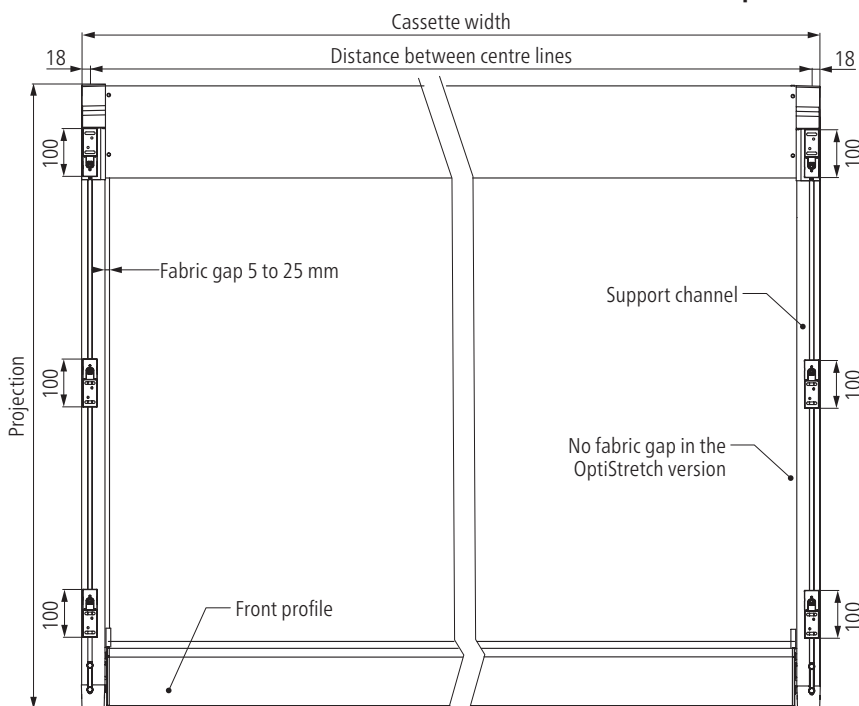
Lateral view of Sottezza Pure



Lateral view of Sottezza Originale



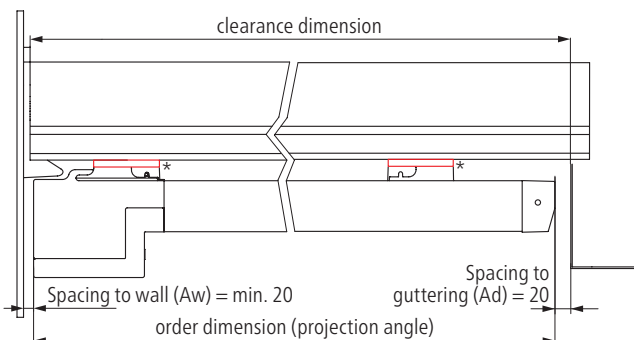
Sottezza Pure and Originale Stretch



The sideways fabric gap is 5–25 mm in the Stretch version, depending on the cassette width and the projection.

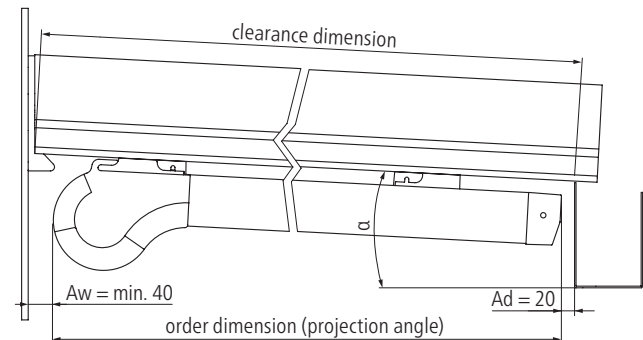
There is no fabric gap in the OptiStretch version.

Minimum spacing Sottezza Pure to a cubic patio roof



 \* The base plate 100 x 30x 10 mm required.

Minimum spacing Sottezza Originale to a classic patio roof



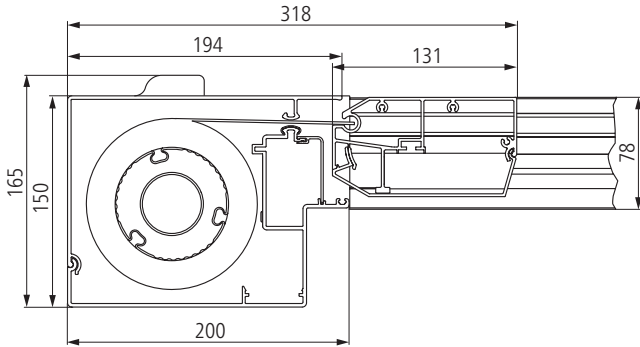
The spacing between the Sottezza Pure and Originale and the wall ( $A_w$ ) depends on the pitch:  
Terrazza Pure →  $A_w = \text{min } 20 \text{ mm}$   
Terrazza Originale a. Sempre  $3^\circ - 45^\circ \rightarrow A_w = \text{min } 40 \text{ mm}$



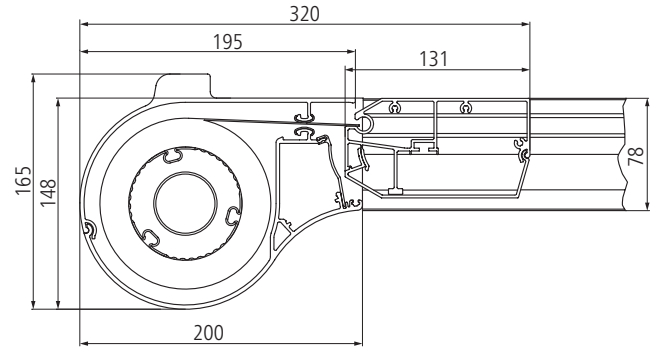
# Sottezza Pure and Originale Planning

## Cross-sections

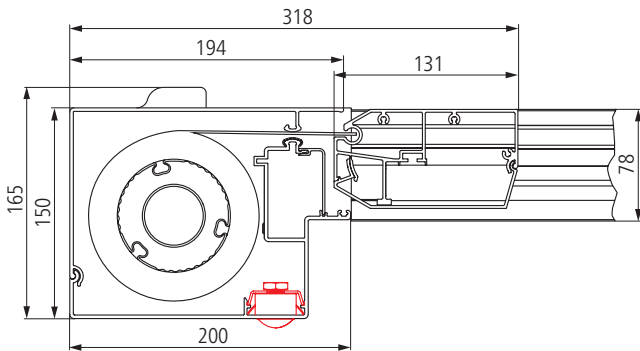
Section and dimensions for Sottezza Pure



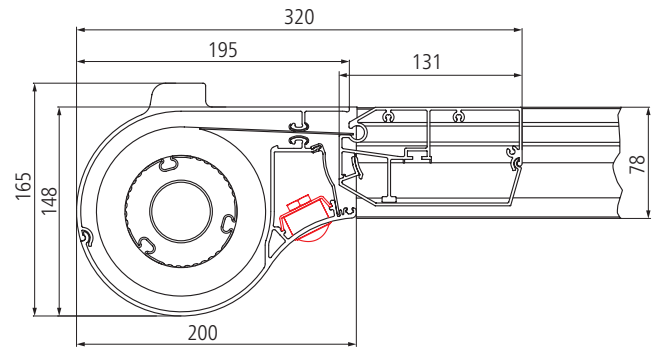
Section and dimensions for Sottezza Originale



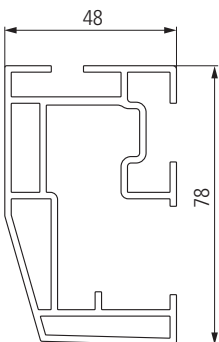
Section and dimensions for Sottezza Pure LED



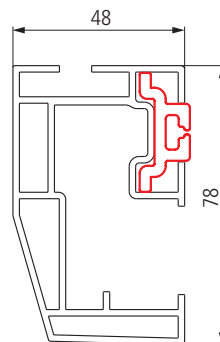
Section and dimensions for Sottezza Originale LED



Support channel detail for Sottezza Pure and Originale



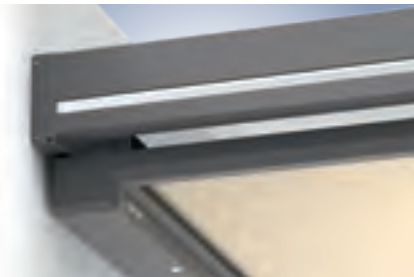
Support channel for Stretch



OptiStretch support channel with additional fabric guide profile

# Sottezza Pure and Originale Installation

## Sottezza Pure and Originale fitted to a patio roof



Sottezza Pure indented



Sottezza Originale indented

During installation on a patio roof, the Sottezza Pure and Originale can be indented in such a way to allow the subsequent retrofitting of glazing elements.

## Cabling of individual and multi-section units



### Individual units:

The Hirschmann coupling with cable is fixed to the rear of the cassette cable with cable clips (standard).

using Sottezza Pure as an example



### Multi-section units:

The cable is fixed with cable clips with spacing of approx. 700 mm. (optional).

using Sottezza Pure as an example

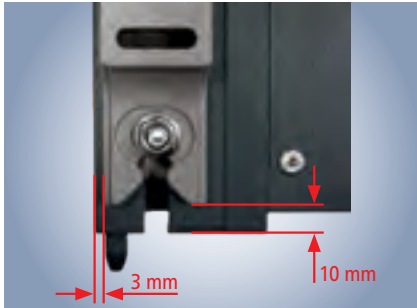


The Sottezza Pure and Originale 1. power cable leads along the Sottezza Pure and Originale 2. to the power line connection on the right here.

## Sottezza Pure and Originale Installation

### Slideability of the cassette in the headplate bracket (tolerances)

Standard position



Lengthwise shifting to the cassette axis



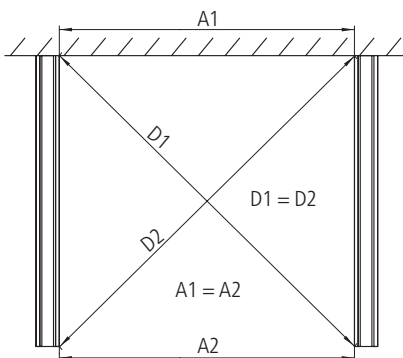
Inside the headplate bracket, the cassette can be pushed lengthwise to the cassette axis (6 mm) or in the direction of the projection (10 mm).

Shifting lengthwise to the projection



04

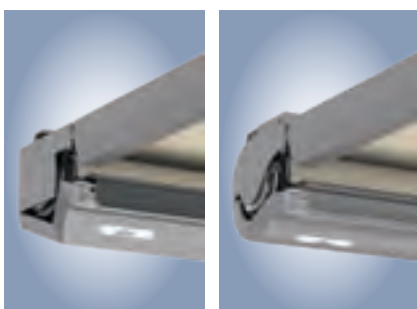
### Rectangular patio roof



Please note: The patio roof must be right-angled to enable the proper installation of the Sottezza Pure and Originale.

Bird's eye view

### The faceplate and the bottom of the cassette



The bottom of the cassette is opened after the installation to ensure that the rope is running properly around the pulley block. A belt strap holds the bottom of the cassette open. The faceplate can easily be unclamped. This provides easy accessibility to a receiver or a power supply pack for servicing purposes.

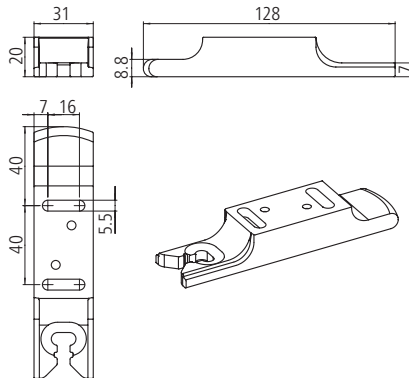
# Sottezza Pure and Originale Installation

## Standard fixing

### Headplate bracket



Complete



Two headplate brackets are supplied as a standard for installation on the Terrazza patio roof. This is mounted to the cassette.

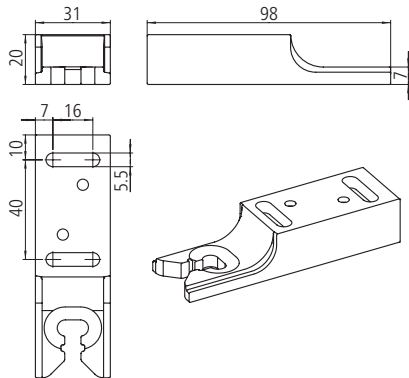
#### Headplate bracket consisting of:

- Bracket cover
- Headplate bracket
- Bracket cover connector
- Carriage
- Flange nut
- Set of screws

### Support channel bracket



Complete

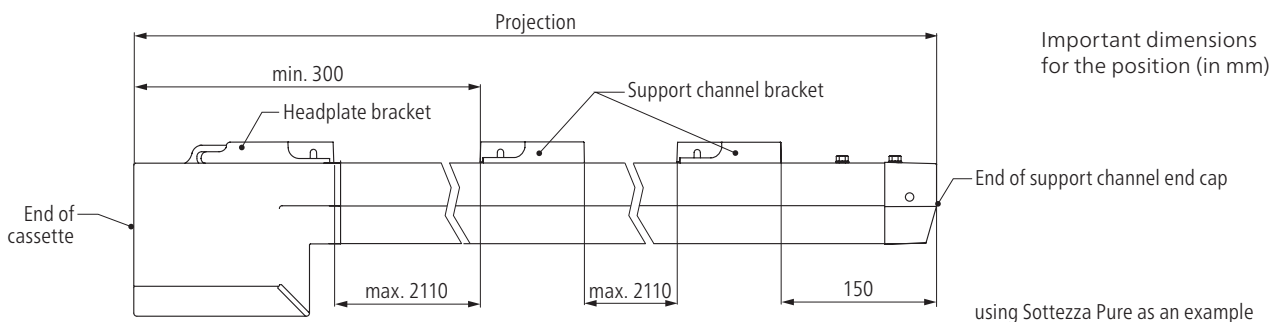


For installation to a Terrazza patio roof, use the valid weinor price list to determine the standard number of support channel brackets.

#### The support channel bracket consists of:

- Support channel
- Bracket cover
- Bracket cover connector
- Carriage
- Flange nut
- Set of screws

## Fixing to a patio roof/number of attachment points



### Standard fixing type

Upwards bolting – i.e. from beneath the roof bracket or other supports above them. Additional fixings are recommended in case of a weak untrussed roof.

The scope of delivery does not include material required to retrofit a Sottezza Pure and Originale to an existing roof system.

**Please refer to current weinor price list.**

### No. of fastener points

Sottezza Pure	Projection in cm				
	up to 150	151–250	251–350	351–450	451–500
Minimum number of installation points	4	4	6	6	8

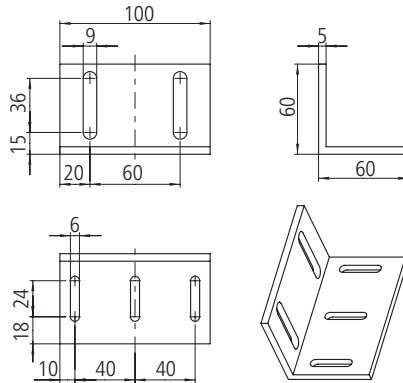
The table shows the minimum number of installation points on a patio roof. The indicated number of attachments is included in the scope of delivery. When the Sottezza Pure and Originale is installed beneath another roof, additional fixings may be necessary.

# Sottezza Pure and Originale Installation

## Special attachment

The fixing listed here can be used for various installation scenarios. Especially for fixing to roofs from other manufacturers.

### Niche angle bracket 60 x 60 x 5 x 100 mm



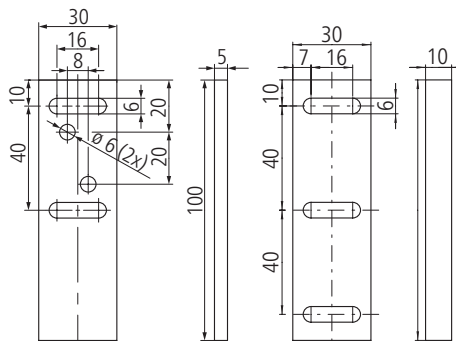
The angle bracket is required for lateral fixing to walls, in niches or to vertical elements.

**Complete niche angle bracket:**  
Includes screws for fixing the support channel/headplate bracket

### Base plates 100 x 30 x 5/10 mm



100 x 30 x 5 mm      100 x 30 x 10 mm

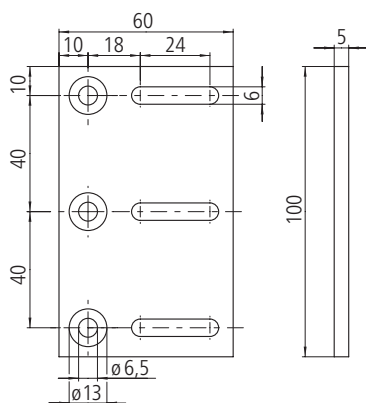
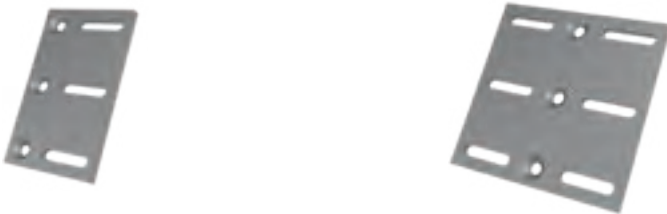


Fixing materials for shimming are recommended for uneven installation foundations.

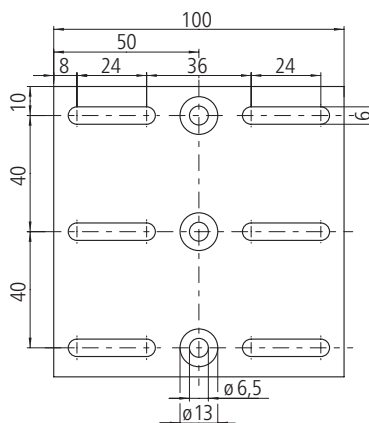
**Base plates complete:**  
Includes a set of screws for installation on weinor Terrazza

### Fixing plates

The fixing plates are required for the sideways offset of the fixing and in case of narrow roof brackets.



100 x 60 x 5 mm



100 x 100 x 5 mm

**Complete fixing plates**  
**100 x 60 x 5 mm or 100 x 100 x 5 mm:**  
Including set of screws

**Fixing plate 100 x 100 x 5 mm:**  
Including further set of screws

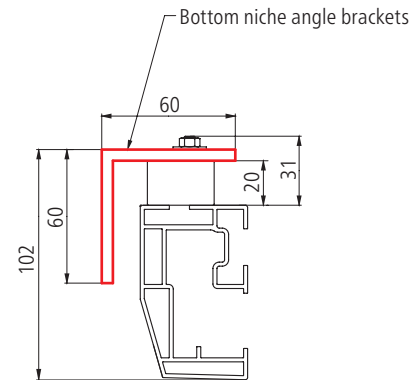
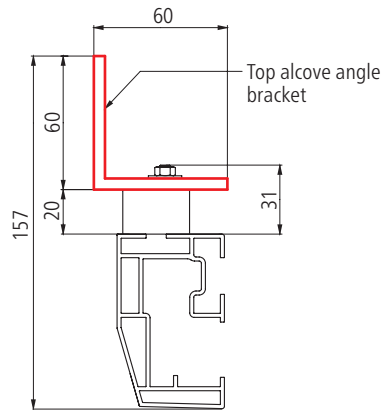


For installation on roof brackets, we recommend that you order the set of screws for conservatory awnings on Terrazza with clamping slider (optional).

# Sottezza Pure and Originale Installation

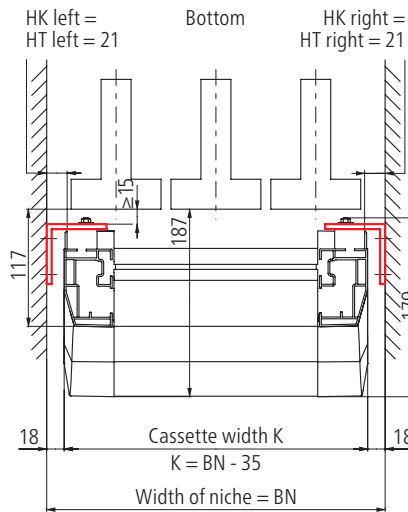
## Use of niche angle bracket

Different possibilities for the use of niche angle brackets

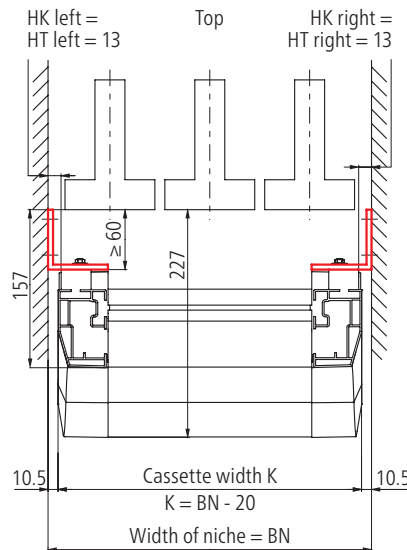


### Arbitrary patio roof

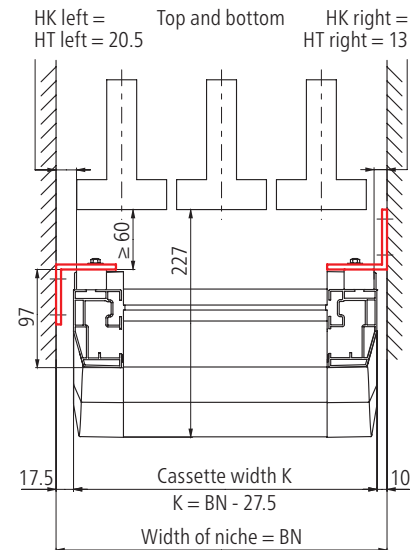
2 x niche angle brackets (NW)



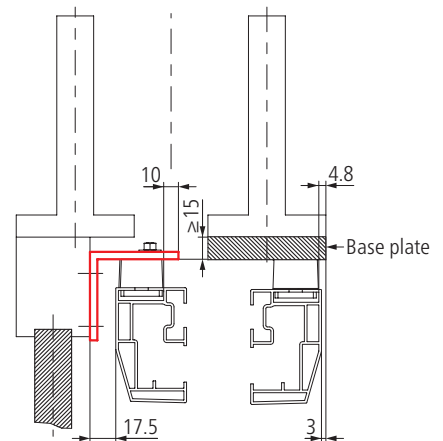
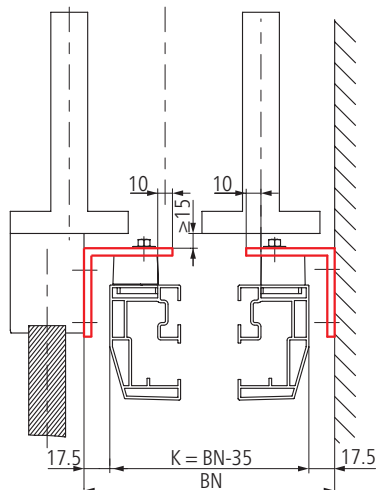
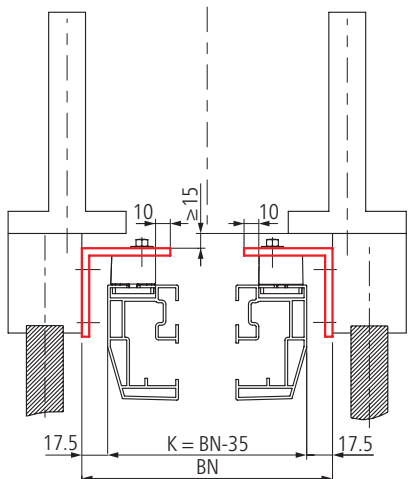
2 x niche angle brackets (NW)



1 niche angle bracket respectively (NW)



### Any patio roof with side vertical elements



Key:

BN = width of niche HK = headplate bracket HT = support channel bracket K = cassette width

## Sottezza Pure and Originale Installation

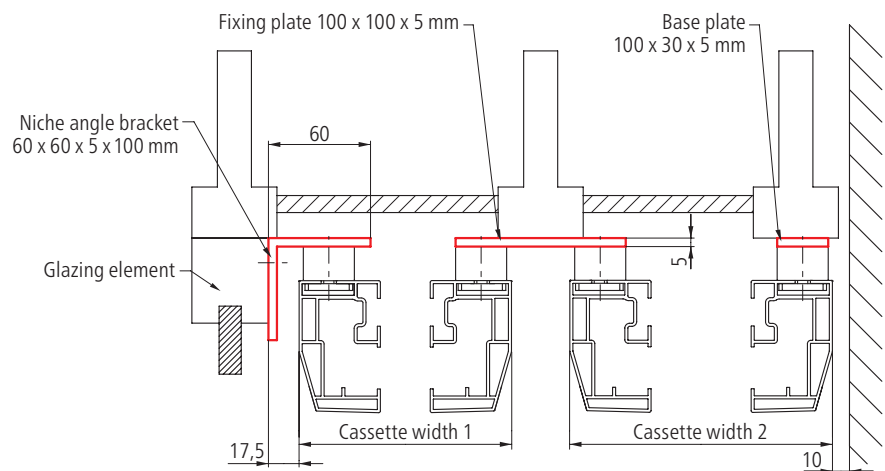
### Examples of installation with niche angle bracket with fixing + base plate

The two examples below show how special attachment materials are used. The right fixings must be used to suit the specific building situation and type of sun protection required.

- The support channel brackets on the right-hand side can be undermounted with base plates or with fixing plates at the connection point.
- The bolting at the connection point is located at the side on the roof bracket or directly in the roof bracket depending on the roof bracket width.

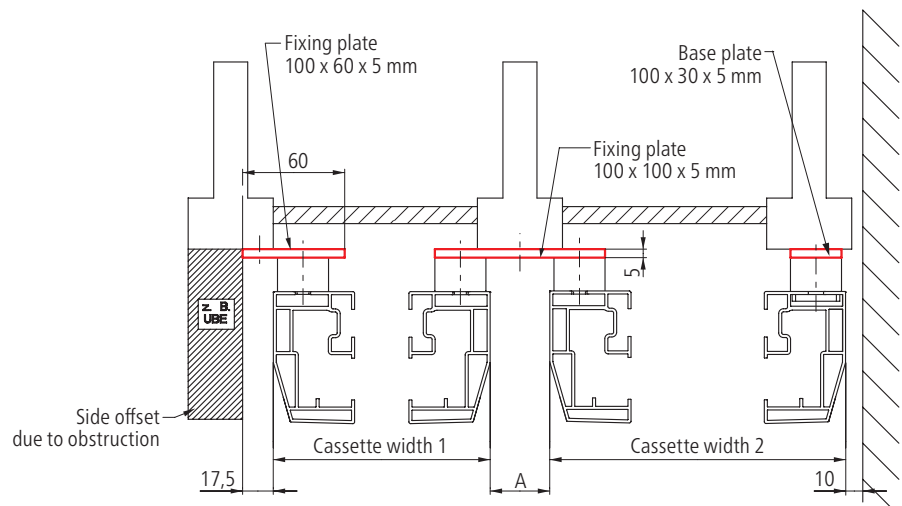
#### Sottezza Pure and Originale fixed to roof with sideways vertical element

Due to the side mounting on the vertical element, all fixings shift 5 mm downwards, so the fixings at the connection point and on the right-hand side need 5 mm undermounting.



#### Sottezza Pure and Originale fixing with side offset

Due to the side offset on the left-hand side, all fixings shift 5 mm downwards, so the brackets at the connection point and on the right-hand side need 5 mm of undermounting.



#### Key:

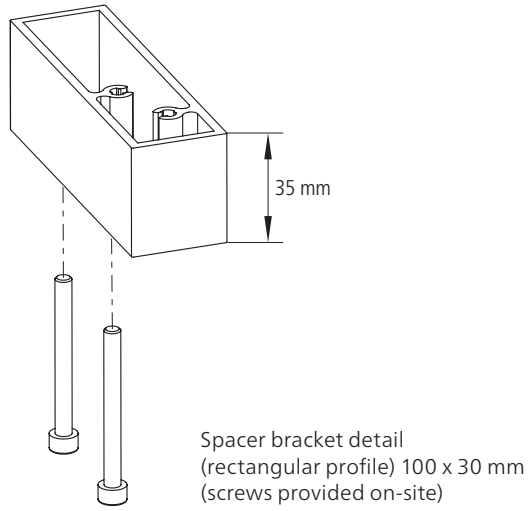
UBE = glazing element

A = dependent on the width of the roof support supplied by another manufacturer

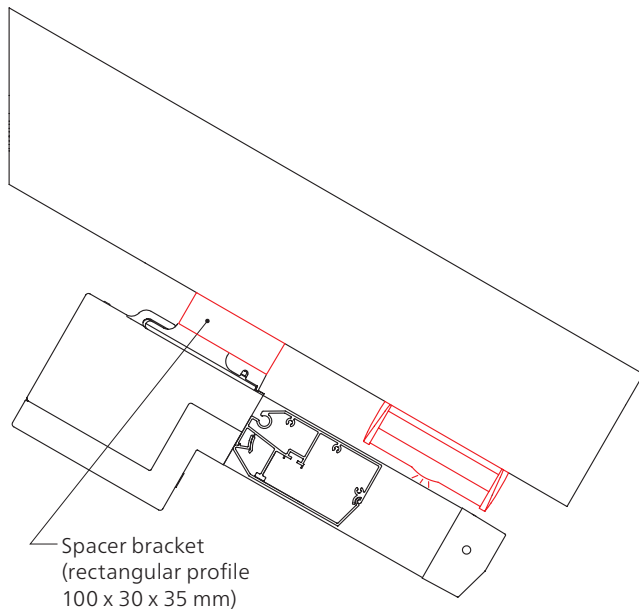
# Sottezza Pure and Originale Installation

## Installation with spacer bracket (rectangular profile)

If a larger distance to the roof should be necessary (e.g. if using a light bar or roof vent), this can be realised with the spacer bracket.



### Sottezza Pure



### Sottezza Originale

